

Trinity Glass International

OPAQUE FIBERGLASS DOOR

NON-IMPACT INSWING/OUTSWING

INSTALLATION NOTES:

1. ONE (1) INSTALLATION ANCHOR IS REQUIRED AT EACH ANCHOR LOCATION SHOWN.
2. THE NUMBER OF INSTALLATION ANCHORS DEPICTED IS THE MINIMUM NUMBER OF ANCHORS TO BE USED FOR PRODUCT INSTALLATION OF THE MAXIMUM SIZE LISTED.
3. INSTALL INDIVIDUAL INSTALLATION ANCHORS WITHIN A TOLERANCE OF ±1/2 INCH (I.E., WITHOUT CONSIDERATION OF TOLERANCES), TOLERANCES ARE NOT CUMULATIVE FROM ONE INSTALLATION ANCHOR TO THE NEXT.
4. SHIM AS REQUIRED AT EACH INSTALLATION ANCHOR WITH LOAD BEARING SHIM(S). MAXIMUM ALLOWABLE SHIM STACK TO BE 1/4 INCH. SHIM WHERE SPACE OF 1/16 INCH OR GREATER OCCURS. SHIM(S) SHALL BE CONSTRUCTED OF HIGH DENSITY PLASTIC OR BETTER.
5. THROUGH FRAME: FOR INSTALLATION INTO 2X WOOD FRAMING USE MINIMUM #10 WOOD SCREWS OF SUFFICIENT LENGTH TO ACHIEVE 1 1/2" MINIMUM EMBEDMENT INTO WOOD SUBSTRATE. MINIMUM EDGE DISTANCE OF 3/4" SHALL BE MAINTAINED.
6. THROUGH FRAME: FOR INSTALLATION INTO CONCRETE/MASONRY, USE 1/4" ITW TAPCONS OR 1/4" ELCO ULTRACONS OR 3/16" ITW TAPCONS OF SUFFICIENT LENGTH TO ACHIEVE 1 1/4" MINIMUM EMBEDMENT INTO CONCRETE/MASONRY.
7. MINIMUM EMBEDMENT AND EDGE DISTANCE EXCLUDE WALL FINISHES, INCLUDING BUT NOT LIMITED TO STUCCO, FOAM, BRICK VENEER, AND SIDING.
8. INSTALLATION ANCHORS AND ASSOCIATED HARDWARE MUST BE MADE OF CORROSION RESISTANT MATERIAL OR HAVE A CORROSION RESISTANT COATING.
9. FOR HOLLOW BLOCK AND GROUT FILLED BLOCK, DO NOT INSTALL INSTALLATION ANCHORS INTO MORTAR JOINTS. EDGE DISTANCE IS MEASURED FROM FREE EDGE OF BLOCK OR EDGE OF MORTAR JOINT INTO FACE SHELL OF BLOCK.
10. INSTALLATION ANCHORS SHALL BE INSTALLED IN ACCORDANCE WITH ANCHOR MANUFACTURER'S INSTALLATION INSTRUCTIONS, AND ANCHORS SHALL NOT BE USED IN SUBSTRATES WITH STRENGTHS LESS THAN THE MINIMUM STRENGTH SPECIFIED BY THE ANCHOR MANUFACTURER.
11. INSTALLATION ANCHOR CAPACITIES FOR PRODUCTS HEREIN ARE BASED ON SUBSTRATE MATERIALS WITH THE FOLLOWING PROPERTIES:
 - A. WOOD - MINIMUM SPECIFIC GRAVITY OF 0.55.
 - B. CONCRETE - MINIMUM 3000 PSI COMPRESSIVE STRENGTH
 - C. HOLLOW/GROUT FILLED CMU - STRENGTH CONFORMANCE TO ASTM C90, MIN. F'm = 2000 PSI.

GENERAL NOTES:

1. THE PRODUCT SHOWN HEREIN IS DESIGNED AND MANUFACTURED TO COMPLY WITH THE CURRENT FLORIDA BUILDING CODE (FBC), INCLUDING HVHZ AND HAS BEEN EVALUATED ACCORDING TO THE FOLLOWING:
 - TAS 202-94
 - ASTM E283-04
 - ASTM E330-02
 - ASTM E331-00
 - AAMA 1304-02
2. ADEQUACY OF THE EXISTING STRUCTURAL CONCRETE/MASONRY AND 2X FRAMING AS A MAIN WIND FORCE RESISTING SYSTEM CAPABLE OF WITHSTANDING AND TRANSFERRING APPLIED PRODUCT LOADS TO THE FOUNDATION IS THE RESPONSIBILITY OF THE ENGINEER OR ARCHITECT OF RECORD FOR THE PROJECT OF INSTALLATION.
3. 1X AND 2X BUCKS (WHEN USED) SHALL BE DESIGNED AND ANCHORED TO PROPERLY TRANSFER ALL LOADS TO THE STRUCTURE. BUCK DESIGN AND INSTALLATION IS THE RESPONSIBILITY OF THE ENGINEER OR ARCHITECT OF RECORD FOR THE PROJECT OF INSTALLATION.
4. THE INSTALLATION DETAILS DESCRIBED HEREIN ARE GENERIC AND MAY NOT REFLECT ACTUAL CONDITIONS FOR A SPECIFIC SITE. IF SITE CONDITIONS CAUSE INSTALLATION TO DEVIATE FROM THE REQUIREMENTS DETAILED HEREIN, A LICENSED ENGINEER OR ARCHITECT SHALL PREPARE SITE SPECIFIC DOCUMENTS FOR USE WITH THIS DOCUMENT IN NON-HVHZ AREAS.
5. APPROVED IMPACT PROTECTIVE SYSTEM **IS REQUIRED** FOR THIS PRODUCT.
6. FRAME & MULLION MATERIAL: PVC OR WOOD
7. CLADDING MATERIAL: FIBERGLASS

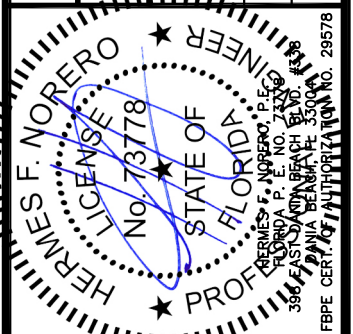
| TABLE OF CONTENTS | |
|-------------------|--------------------------------------|
| SHEET # | DESCRIPTION |
| 1 | General notes |
| 2 | Typical elevations, design pressures |
| 3 | Typical elevations, design pressures |
| 4 | Typical elevations, design pressures |
| 5 | Typical elevations, design pressures |
| 6 | Door panel construction details |
| 7 | Sidelite panel construction details |
| 8 | Sidelite panel construction details |
| 9 | Sidelite panel construction details |
| 10 | Horizontal cross sections |
| 11 | Horizontal cross sections |
| 12 | Horizontal cross sections |
| 13 | Vertical cross sections |
| 14 | Vertical cross sections |
| 15 | Vertical & Horizontal cross sections |
| 16 | Horizontal cross sections |
| 17 | Buck & Frame anchoring |
| 18 | Buck anchoring |
| 19 | Frame anchoring |
| 20 | Frame anchoring |
| 21 | Frame anchoring |
| 22 | Frame anchoring |
| 23 | Buck anchoring |
| 24 | Frame anchoring |
| 25 | Buck anchoring |
| 26 | Frame anchoring |
| 27 | Components |
| 28 | Components |
| 29 | Components |
| 30 | Bill of materials |

TITLE: OPAQUE FIBERGLASS DOOR
NON-IMP. INSWING/OUTSWING

GENERAL NOTES

PREPARED BY:
BUILDING DROPS, INC.
398 E. DANIA BEACH BLVD. #338
DANIA BEACH, FL 33004
PH: (954) 399-8478 FX: (954) 744-4738

| REVISIONS | DESCRIPTION | BY | DATE |
|-----------|-------------|----|------|
| | | | |



| | | | |
|-------------------|---------------|----------------|---------------|
| DATE: 07.14.16 | DWN BY: LS | CHK BY: HFN | SCALE: NTS |
|-------------------|---------------|----------------|---------------|

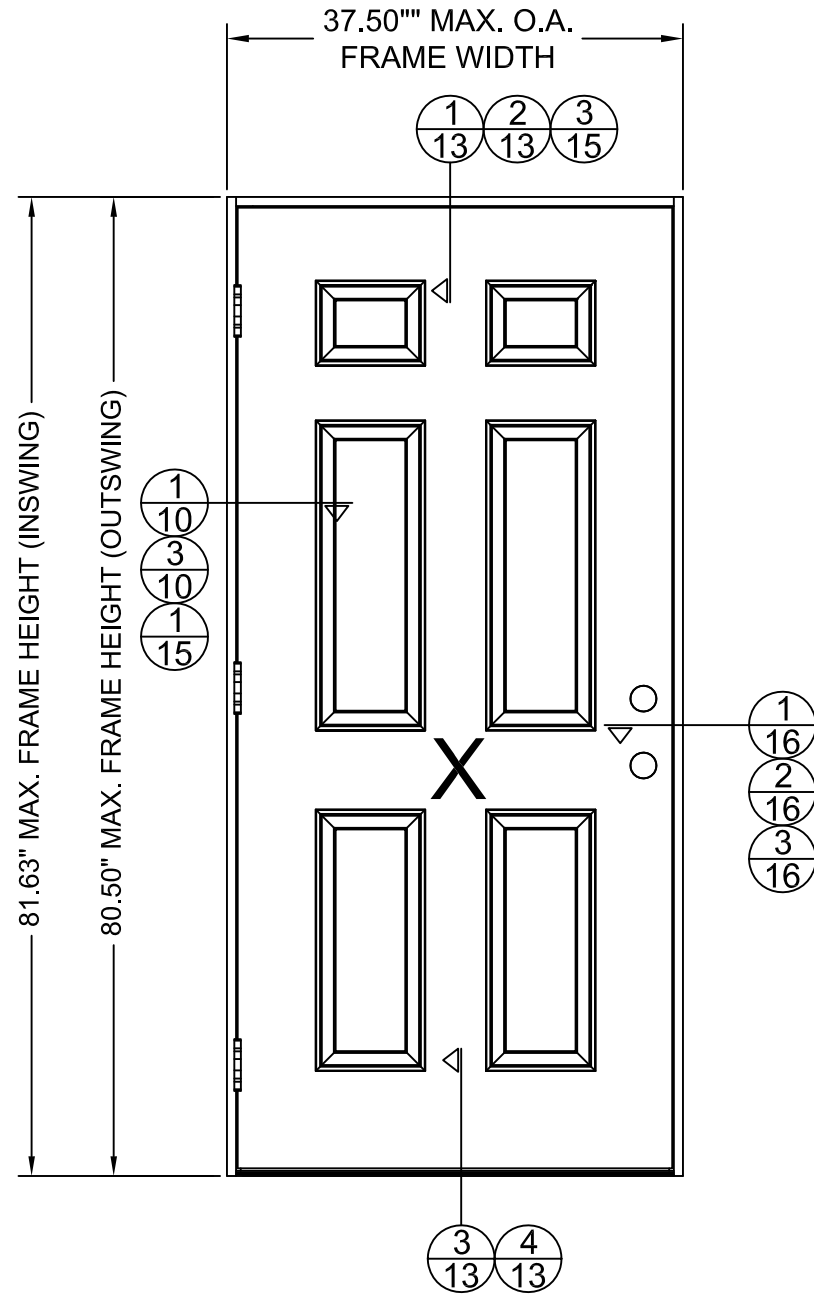
DWG #:
FL-20867.4

SHEET: **1 OF 30**

TITLE: OPAQUE FIBERGLASS DOOR
NON-IMP. INSWING/OUTSWING

TYPICAL ELEVATION AND
DESIGN PRESSURE

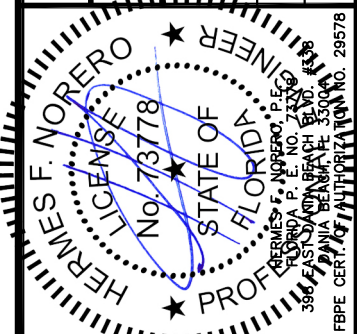
PREPARED BY:
BUILDING DROPS, INC.
398 E. DANIA BEACH BLVD. #338
DANIA BEACH, FL 33004
PH: (954) 399-8478 FX: (954) 744-4738



| MAX. FRAME DIMENSION | JAMB TYPE | DESIGN PRESSURE (PSF) | |
|----------------------|-----------|-----------------------|----------|
| | | POSITIVE | NEGATIVE |
| 37.50" X 81.63" | WOOD | +75.0 | -75.0 |
| | PVC | +60.0 | -60.0 |

REVISIONS

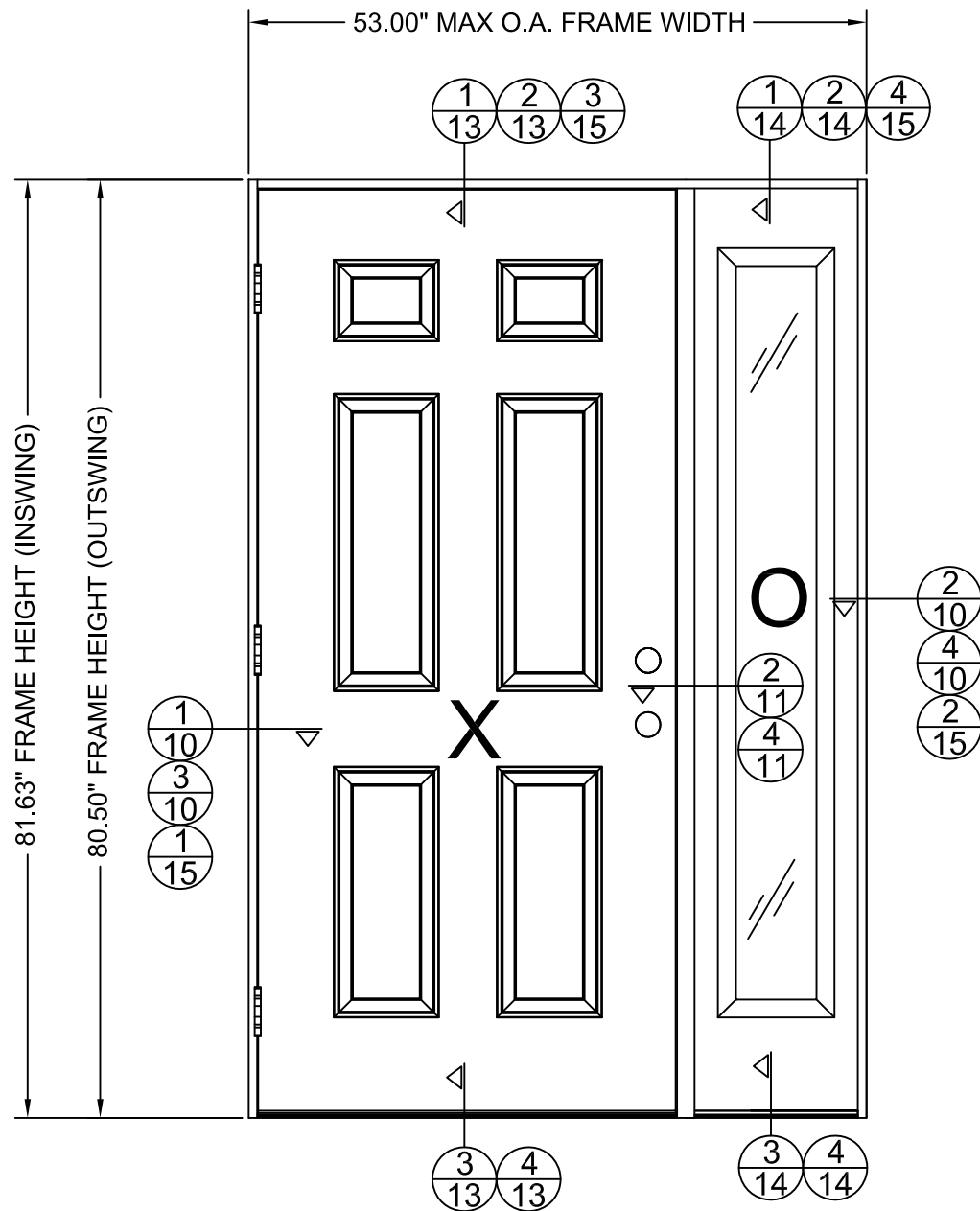
| NO. | DESCRIPTION | BY | DATE |
|-----|-------------|----|------|
| | | | |
| | | | |
| | | | |
| | | | |



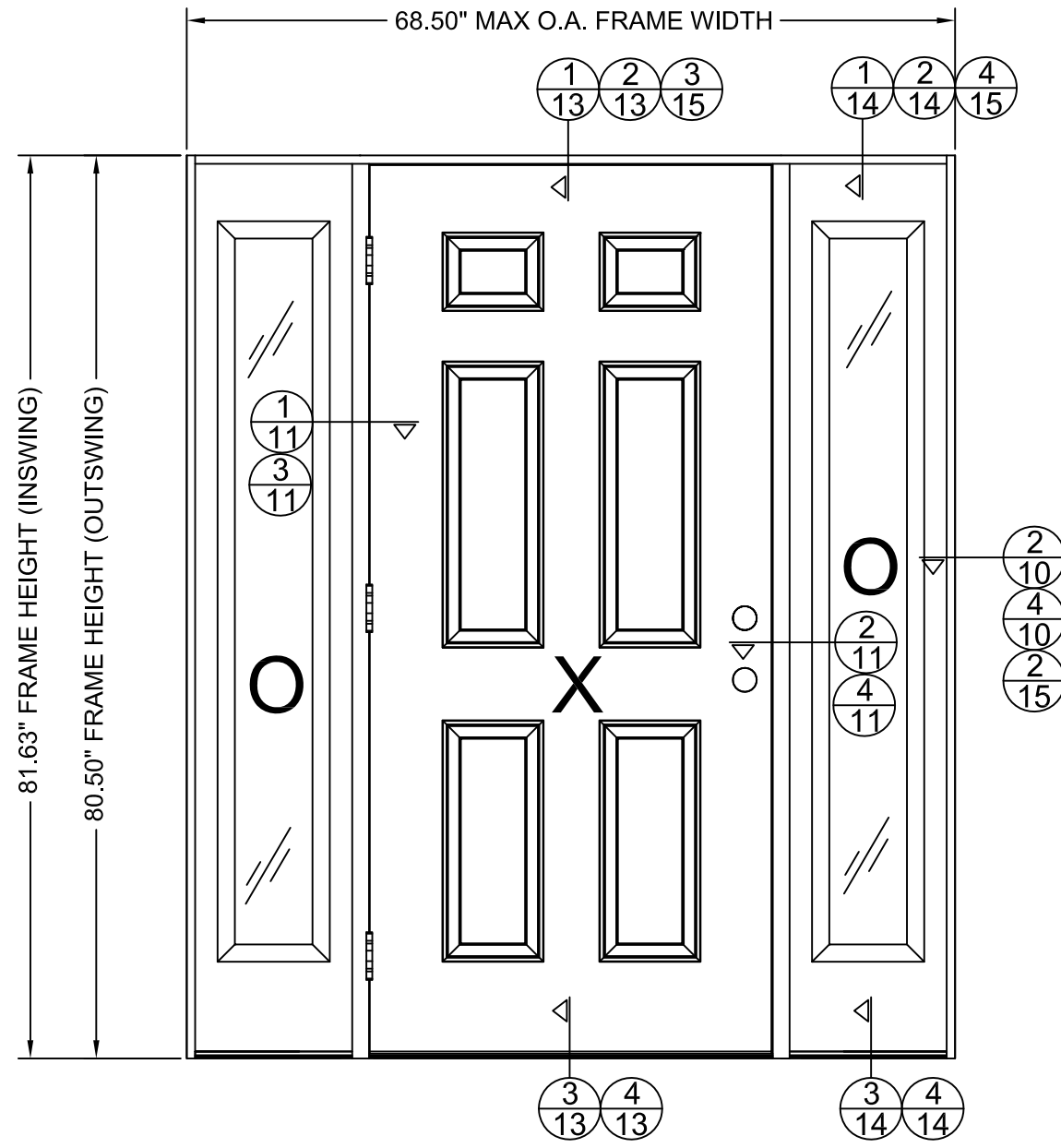
DATE: 07.14.16
DWN BY: LS
CHK BY: HFN
SCALE: NTS

DWG #:
FL-20867.4

SHEET: **2 OF 30**



CONTINUOUS HEADER AND SILL



CONTINUOUS HEADER AND SILL

| CONFIGURATION | MAX. FRAME DIMENSION | JAMB & MULLION TYPE | DESIGN PRESSURE (PSF) INSWING | | DESIGN PRESSURE (PSF) OUTSWING | |
|---------------|----------------------|---------------------|-------------------------------|----------|--------------------------------|----------|
| | | | POSITIVE | NEGATIVE | POSITIVE | NEGATIVE |
| OX/XO | 53.00" X 81.63" | WOOD | +60.0 | -70.0 | +60.0 | -70.0 |
| | | PVC | +55.0 | -55.0 | +55.0 | -55.0 |
| OXO | 68.50" X 81.63" | WOOD | +60.0 | -70.0 | +60.0 | -60.0 |
| | | PVC | +55.0 | -55.0 | +55.0 | -55.0 |

TITLE: OPAQUE FIBERGLASS DOOR
NON-IMP. INSWING/OUTSWING

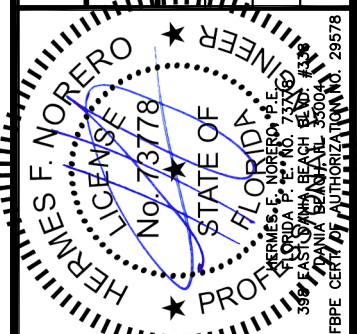
TYPICAL ELEVATION AND
DESIGN PRESSURE

PREPARED BY:

BUILDING DROPS, INC.
398 E. DANIA BEACH BLVD. #338
DANIA BEACH, FL 33004
PH: (954) 399-8478 FX: (954) 744-4738

REVISIONS

| NO. | DESCRIPTION | BY | DATE |
|-----|-------------|----|------|
| | | | |
| | | | |
| | | | |



DATE: 07.14.16
DWN BY: LS
CHK BY: HFN
SCALE: NTS

DWG #: **FL-20867.4**

SHEET: **3 OF 30**

TITLE: OPAQUE FIBERGLASS DOOR
NON-IMP. INSWING/OUTSWING

TYPICAL ELEVATION AND
DESIGN PRESSURE

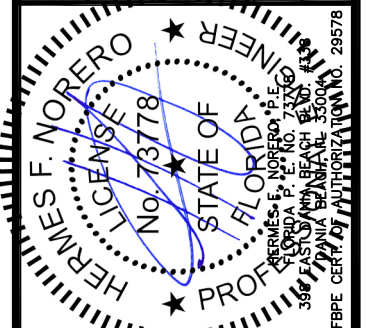
PREPARED BY:

BUILDING DROPS, INC.
398 E. DANIA BEACH BLVD. #338
DANIA BEACH, FL 33004

PH: (954) 399-8478 FX: (954) 744-4738

REVISIONS

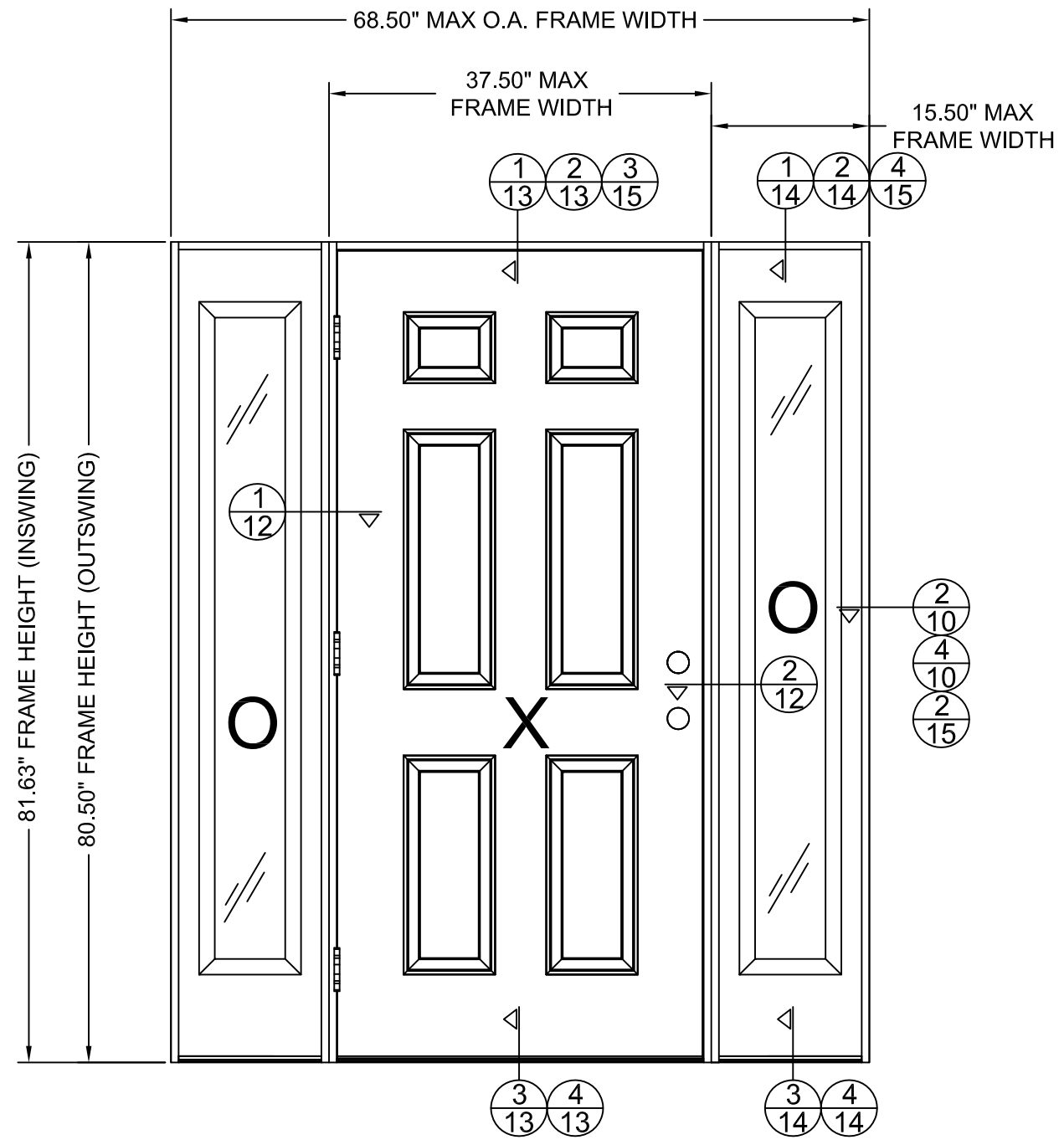
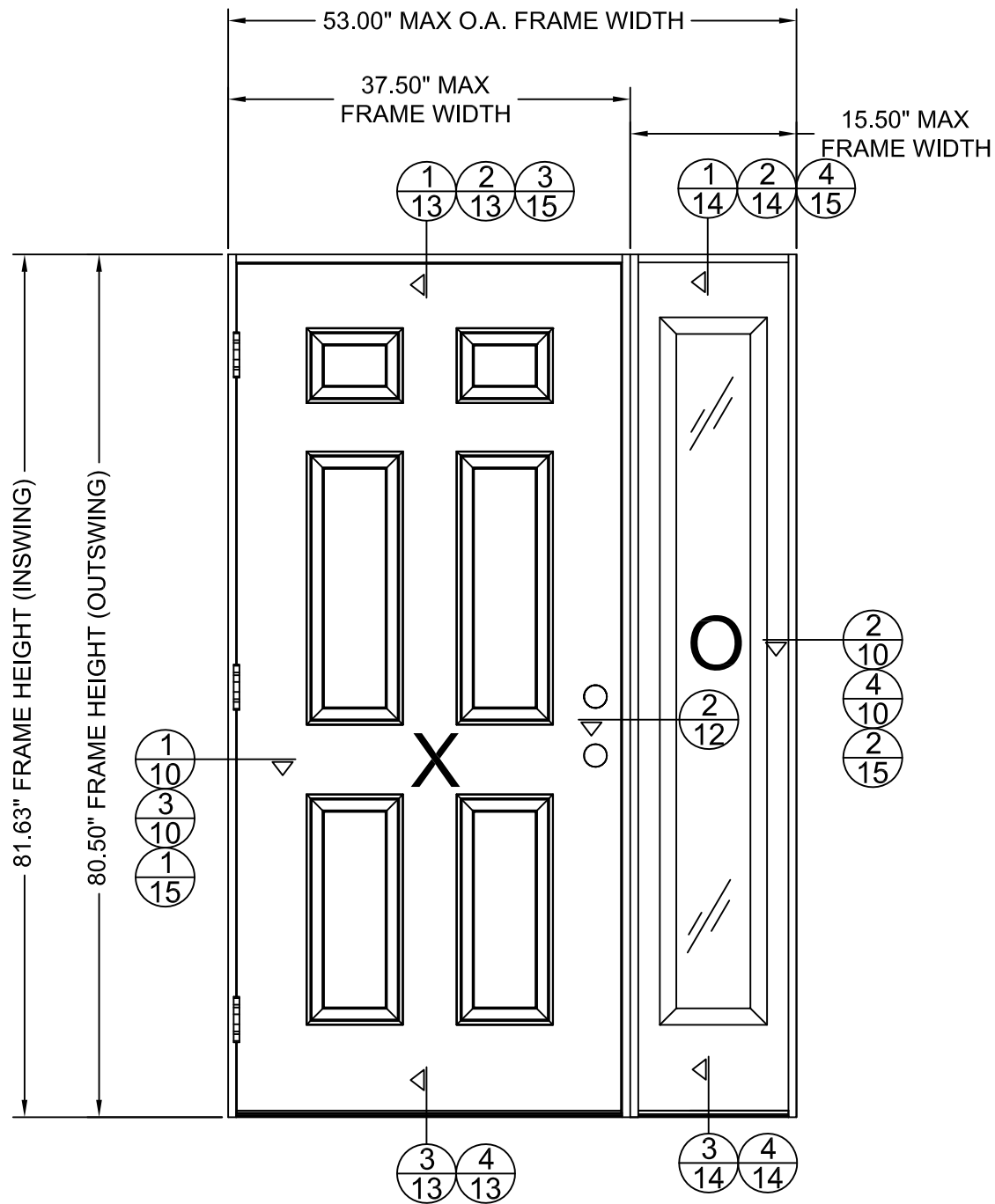
| NO. | DESCRIPTION | BY | DATE |
|-----|-------------|----|------|
| | | | |
| | | | |
| | | | |
| | | | |



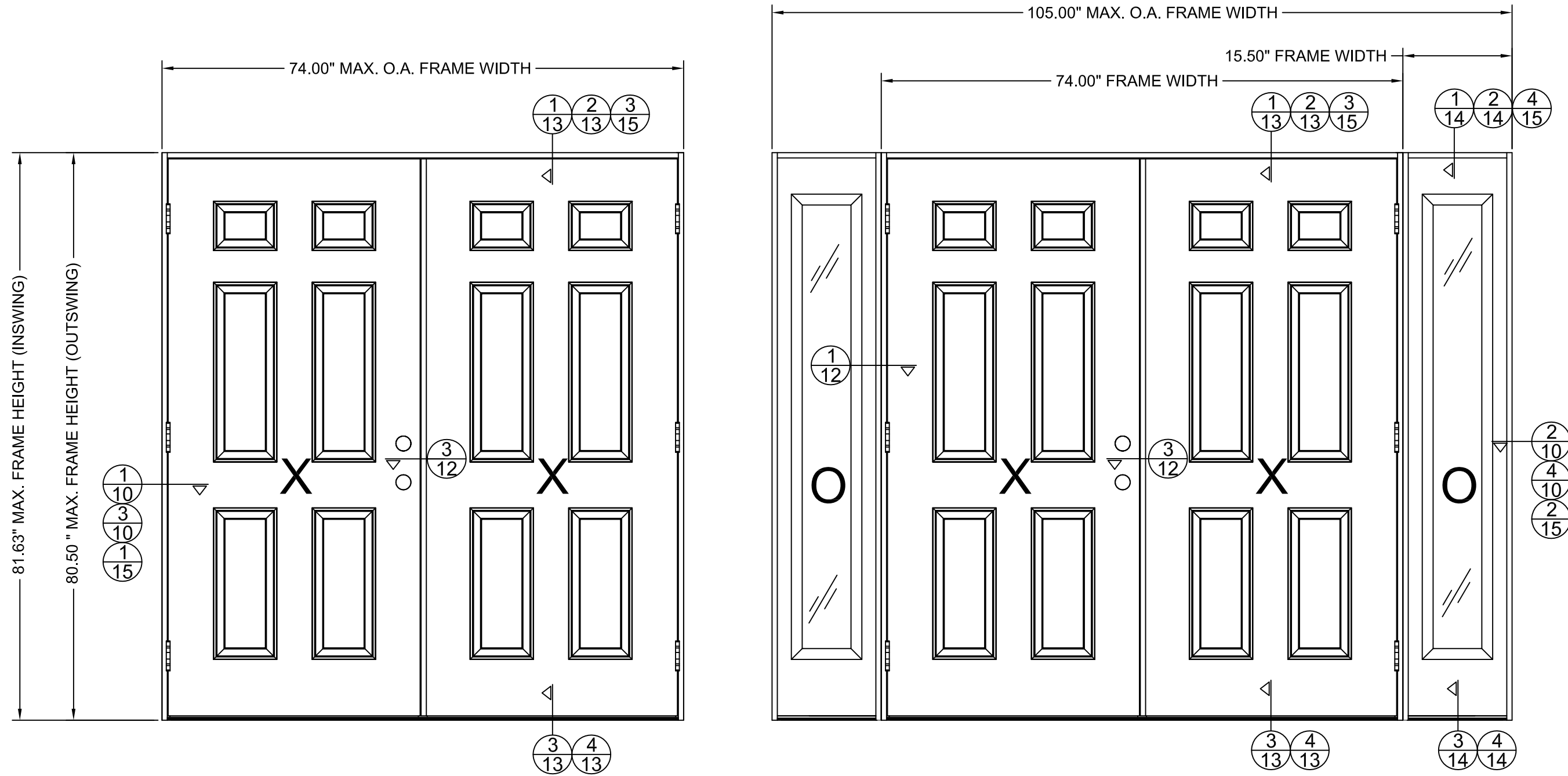
DATE: 07.14.16
DWN BY: LS
CHK BY: HFN
SCALE: NTS

DWG #: **FL-20867.4**

SHEET: **4 OF 30**



| CONFIGURATION | MAX. FRAME DIMENSION | JAMB & MULLION TYPE | DESIGN PRESSURE (PSF) | |
|---------------|----------------------|---------------------|-----------------------|----------|
| | | | POSITIVE | NEGATIVE |
| OX/XO | 53.00" X 81.63" | WOOD | +60.0 | -70.0 |
| | | PVC | +55.0 | -55.0 |
| OXO | 68.50" X 81.63" | WOOD | +55.0 | -55.0 |
| | | PVC | +55.0 | -55.0 |



| CONFIGURATION | MAX. FRAME DIMENSION | DESIGN PRESSURE (PSF) ALUMINUM ASTRAGAL | | DESIGN PRESSURE (PSF) PVC ASTRAGAL | |
|---------------|----------------------|---|----------|------------------------------------|----------|
| | | POSITIVE | NEGATIVE | POSITIVE | NEGATIVE |
| XX | 74.00" X 81.63" | +55.0 | -55.0 | +47.0 | -47.0 |
| OXXO | 105.00" X 81.63" | +55.0 | -55.0 | +47.0 | -47.0 |

TITLE: OPAQUE FIBERGLASS DOOR
NON-IMP. INSWING/OUTSWING

TYPICAL ELEVATION AND
DESIGN PRESSURE

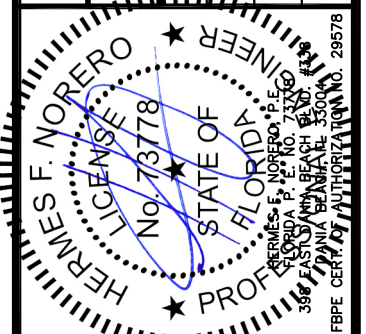
PREPARED BY:

BUILDING DROPS, INC.
398 E. DANIA BEACH BLVD. #338
DANIA BEACH, FL 33004

PH: (954) 399-8478 FX: (954) 744-4738

REVISIONS

| NO. | DESCRIPTION | BY | DATE |
|-----|-------------|----|------|
| | | | |
| | | | |
| | | | |
| | | | |



DATE: 07.14.16
DWN BY: LS
CHK BY: HFN
SCALE: NTS

DWG #: **FL-20867.4**

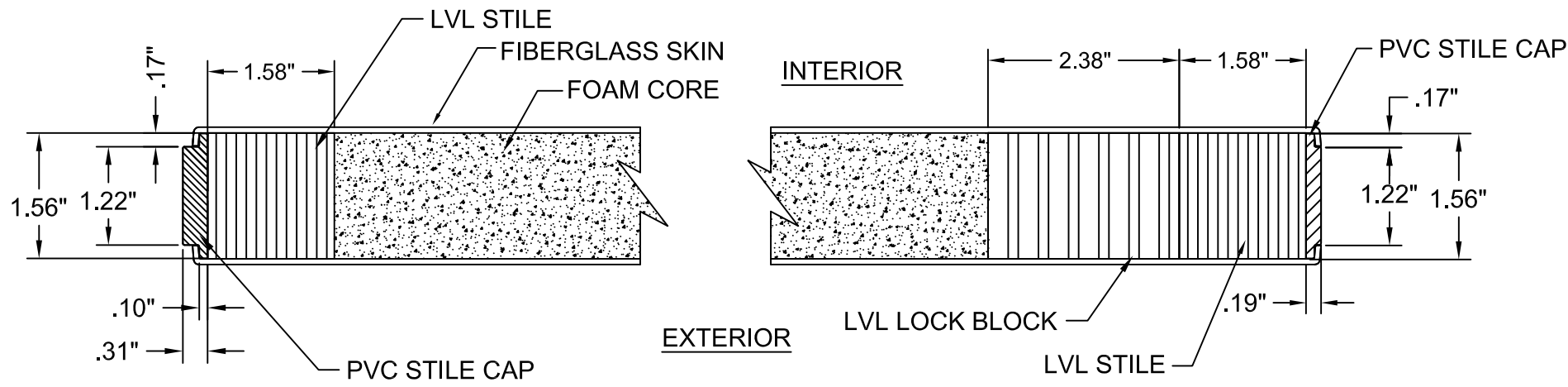
SHEET: **5 OF 30**

TITLE: OPAQUE FIBERGLASS DOOR
NON-IMP. INSWING/OUTSWING

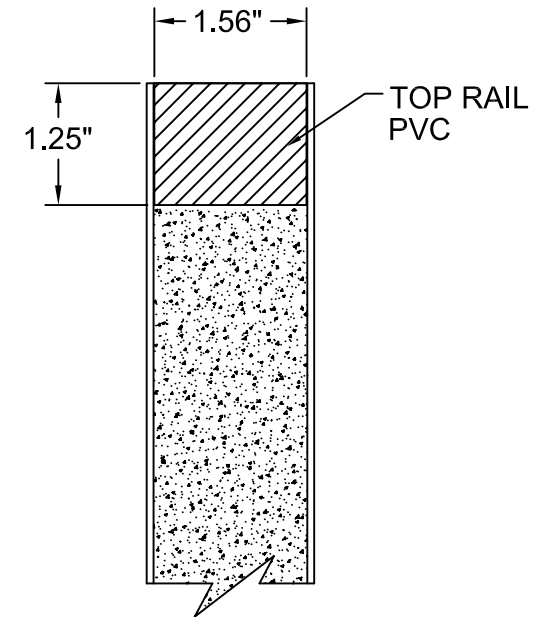
DOOR PANEL
CONSTRUCTION DETAILS

PREPARED BY:
BUILDING DROPS, INC.
398 E. DANIA BEACH BLVD. #338
DANIA BEACH, FL 33004

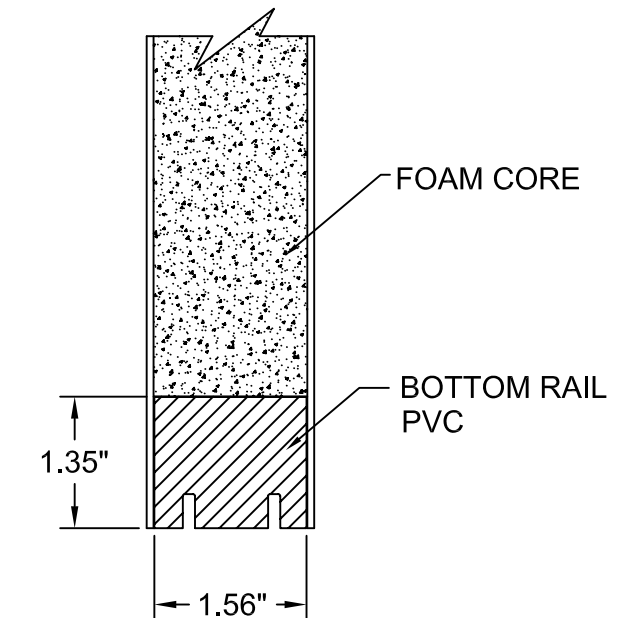
PH: (954) 399-8478 FX: (954) 744-4738



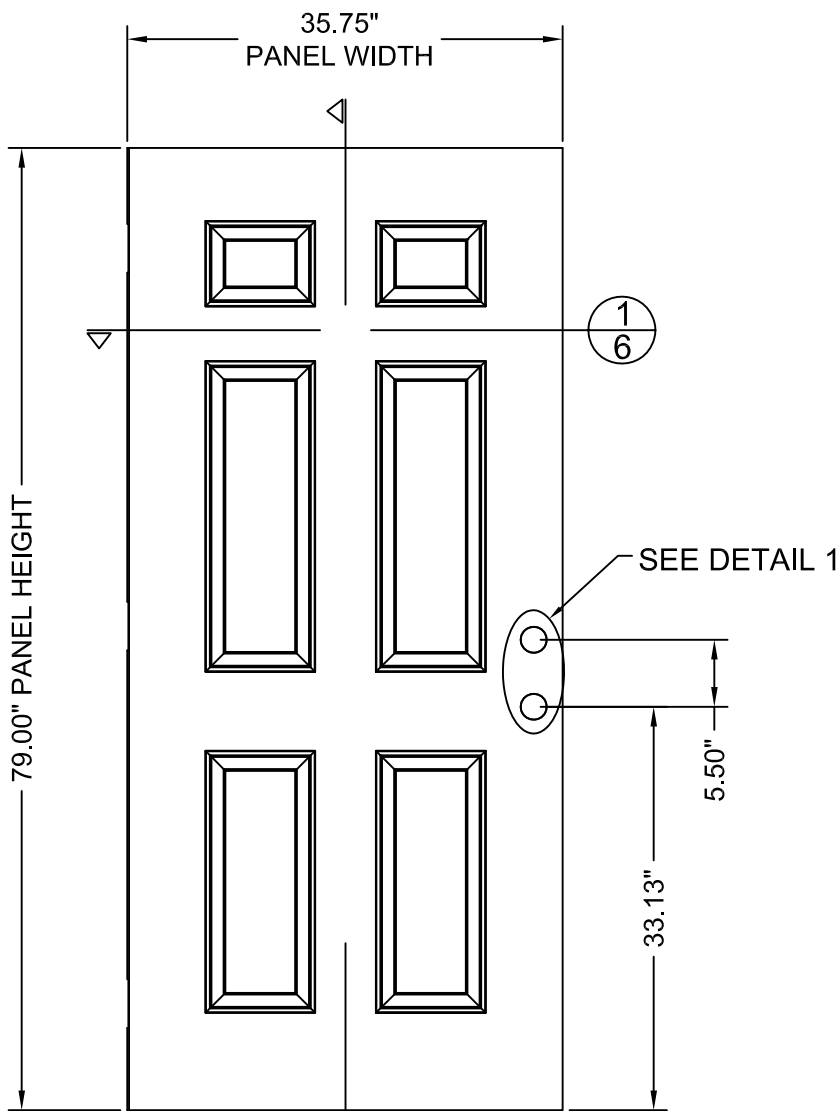
① **HORIZONTAL CROSS SECTION**



EXTERIOR INTERIOR

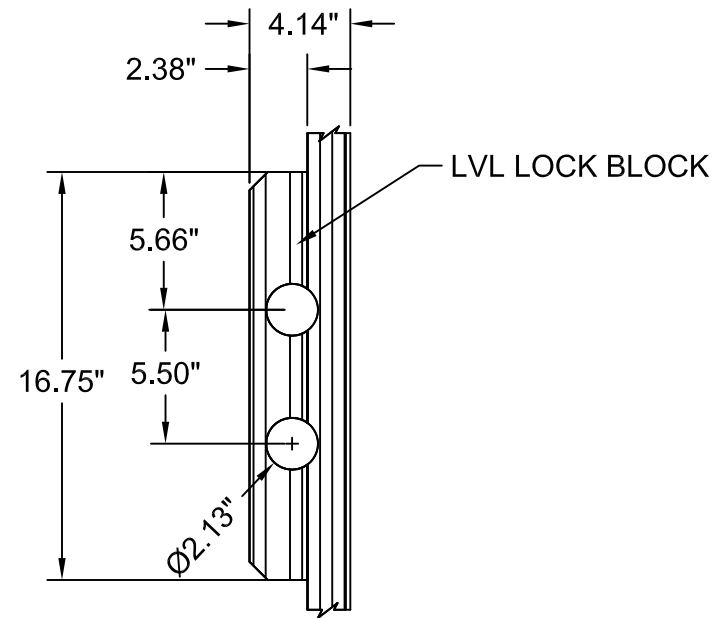


② **VERTICAL CROSS SECTION**



① **OPAQUE DOOR**

FIBERGLASS SKIN: 0.079" THICK MIN.
FOAM CORE: POLYURETHANE

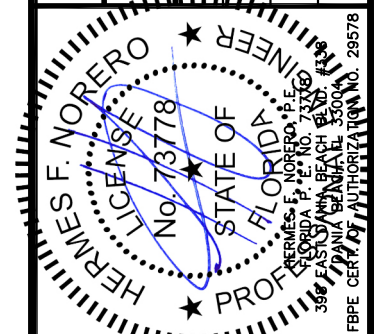


DETAIL 1

| LOCKSET HARDWARE | |
|------------------|--|
| MANUFACTURER | MODEL |
| KWIKSET | LOCK & DEADBOLT COMBO SIGNATURE SERIES 991 |
| KWIKSET | LOCK & DEADBOLT COMBO SIGNATURE SERIES 980 |
| SCHLAGE | LOCK: F-SERIES DEADBOLT: B60 SERIES |

REVISIONS

| NO. | DESCRIPTION | BY | DATE |
|-----|-------------|----|------|
| | | | |
| | | | |
| | | | |
| | | | |



| | | | |
|-------------------|---------------|----------------|---------------|
| DATE: 07.14.16 | DWN BY: LS | CHK BY: HFN | SCALE: NTS |
|-------------------|---------------|----------------|---------------|

DWG #:
FL-20867.4

SHEET: **6 OF 30**

TITLE: OPAQUE FIBERGLASS DOOR
NON-IMP. INSWING/OUTSWING

SIDELITE PANEL
CONSTRUCTION DETAILS

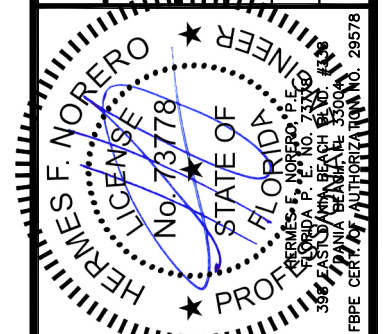
PREPARED BY:

BUILDING DROPS, INC.
398 E. DANIA BEACH BLVD. #338
DANIA BEACH, FL 33004

PH: (954) 399-8478 FX: (954) 744-4738

REVISIONS

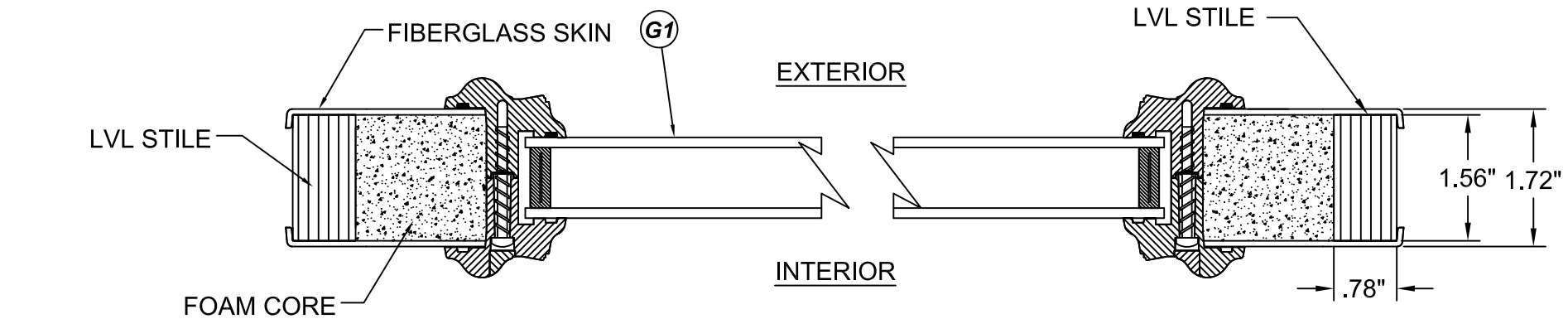
| NO. | DESCRIPTION | BY | DATE |
|-----|-------------|----|------|
| | | | |
| | | | |
| | | | |
| | | | |



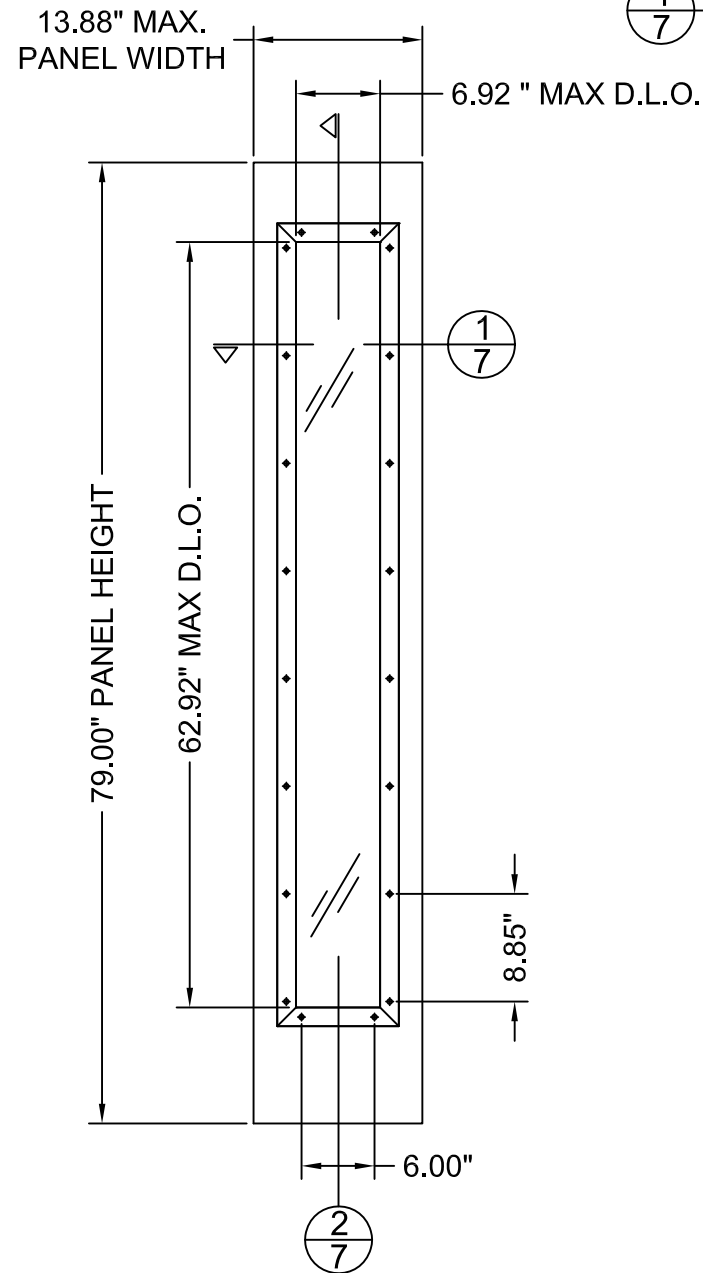
| | | | | | | | |
|-------|----------|---------|----|---------|-----|--------|-----|
| DATE: | 07.14.16 | DWN BY: | LS | CHK BY: | HFN | SCALE: | NTS |
|-------|----------|---------|----|---------|-----|--------|-----|

DWG #: **FL-20867.4**

SHEET: **7 OF 30**

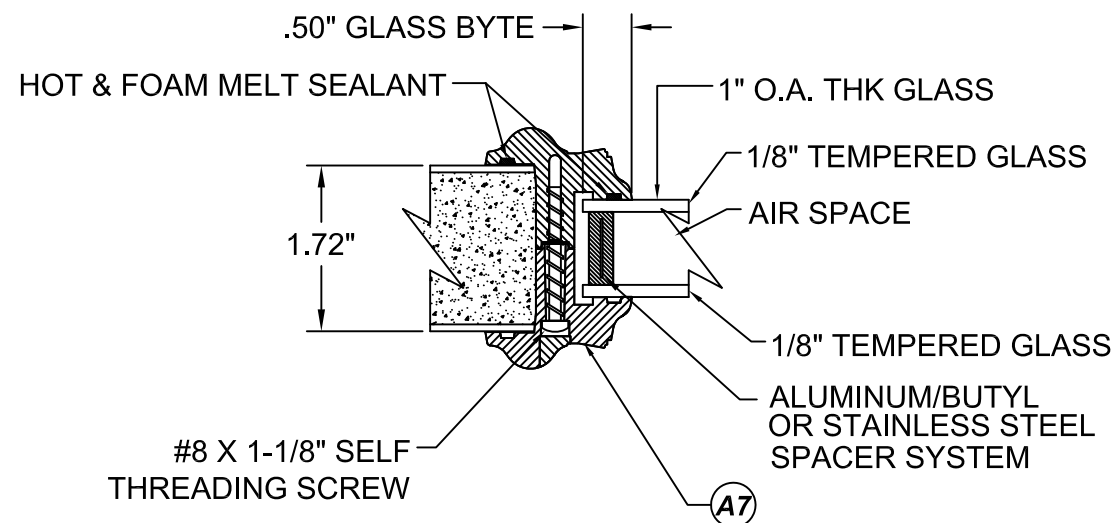


1
7 **HORIZONTAL CROSS SECTION**

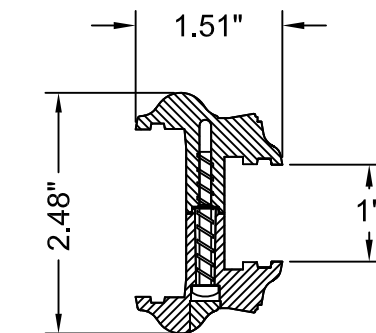


12A **SIDELITE PANEL**
LIPLITE FRAME

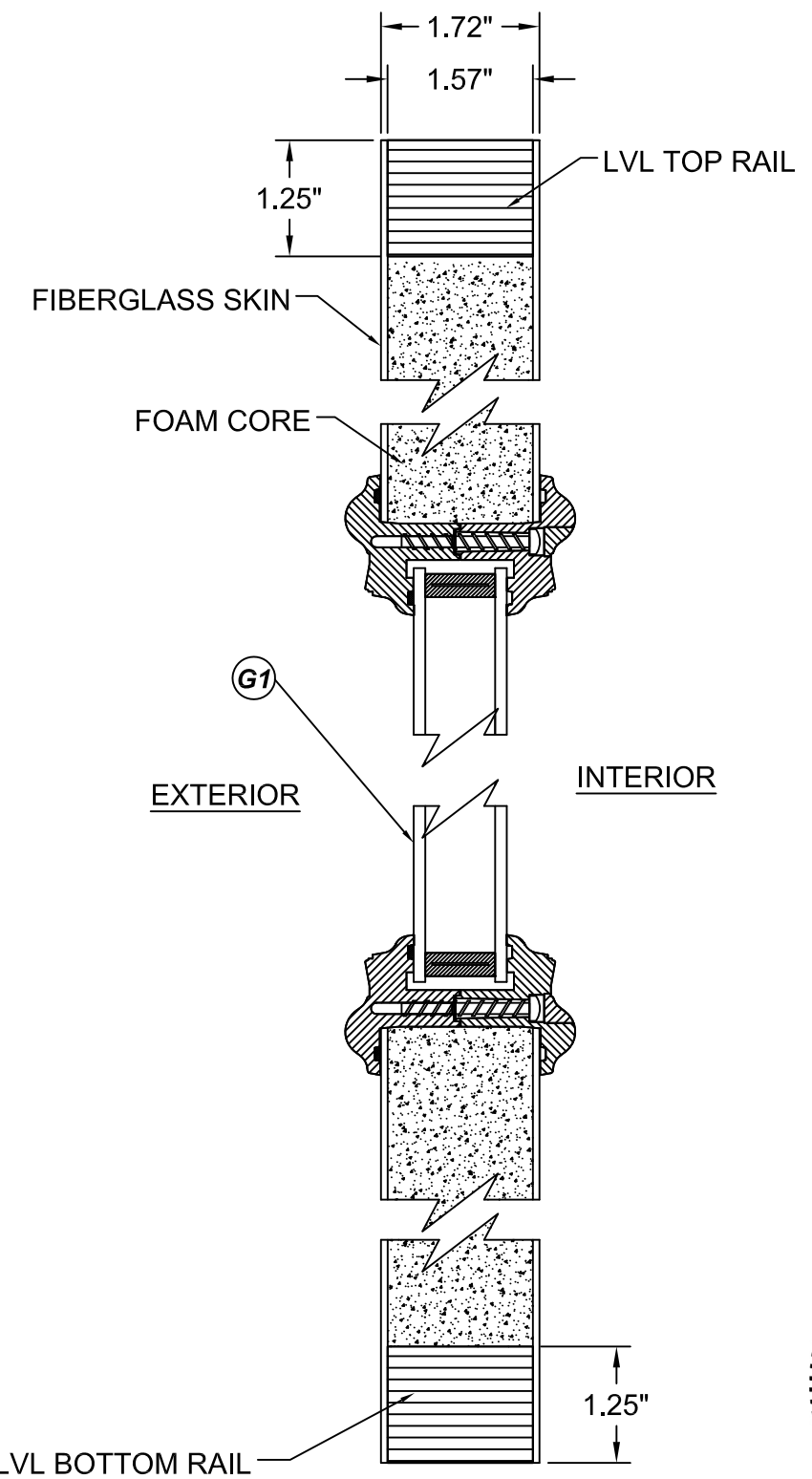
FIBERGLASS SKIN: 0.079" THICK MIN.
FOAM CORE: POLYURETHANE



G1 **GLAZING DETAIL**
LIPLITE FRAME



A7 **LIPLITE FRAME**
ABS or PC/ASA



2
7 **VERTICAL CROSS SECTION**

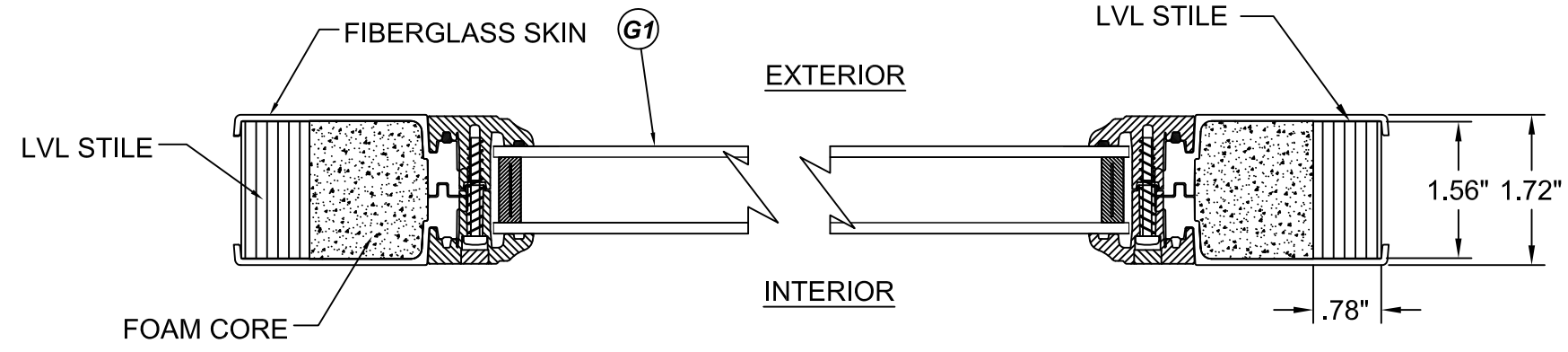
TITLE: OPAQUE FIBERGLASS DOOR
NON-IMP. INSWING/OUTSWING

SIDELITE PANEL
CONSTRUCTION DETAILS

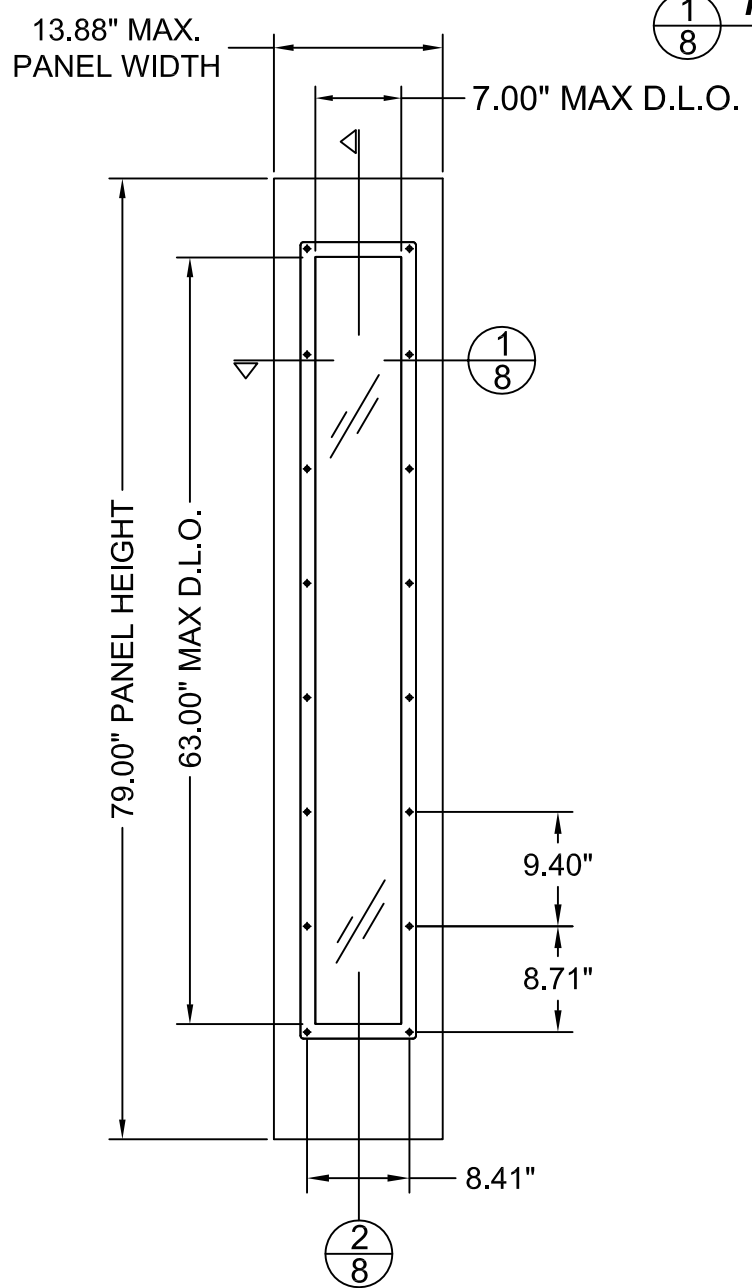
PREPARED BY:

BUILDING DROPS, INC.
398 E. DANIA BEACH BLVD. #338
DANIA BEACH, FL 33004

PH: (954) 399-8478 FX: (954) 744-4738

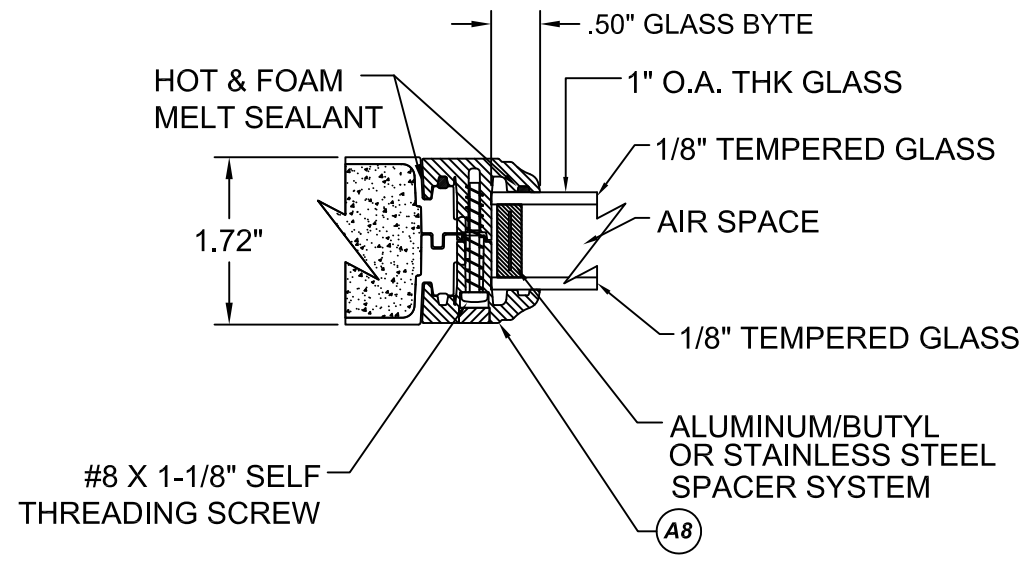


1
8 HORIZONTAL CROSS SECTION



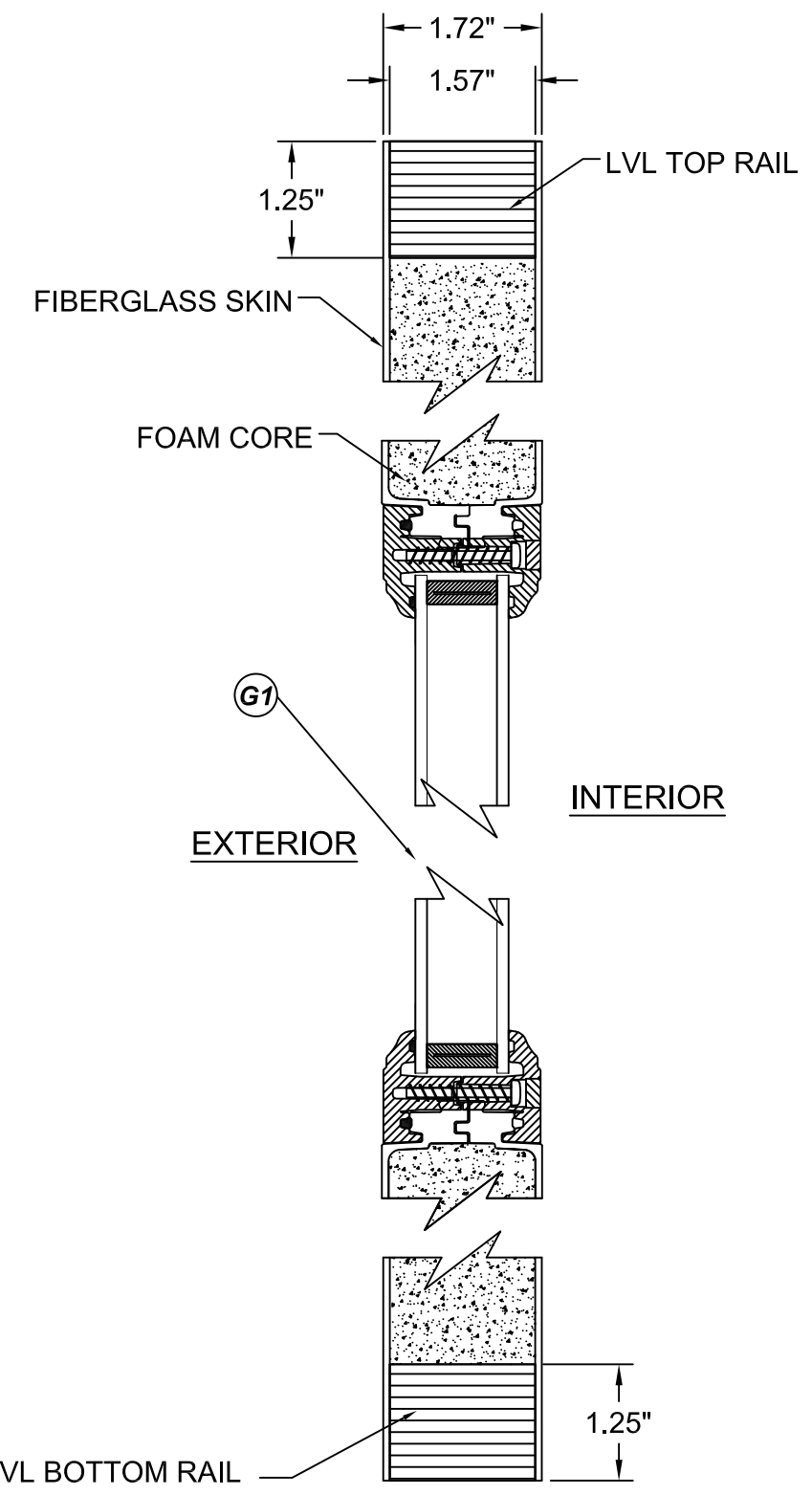
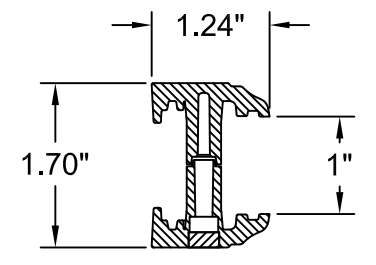
12B SIDELITE PANEL
FLUSHGLAZED FRAME

FIBERGLASS SKIN: 0.079" THICK MIN.
FOAM CORE: POLYURETHANE



G1 GLAZING DETAIL
FLUSHGLAZED FRAME

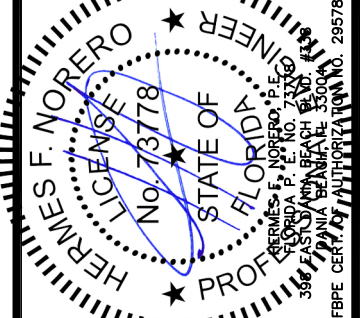
A8 FLUSH GLAZED FRAME
ABS or PC/ASA



2
8 VERTICAL CROSS SECTION

REVISIONS

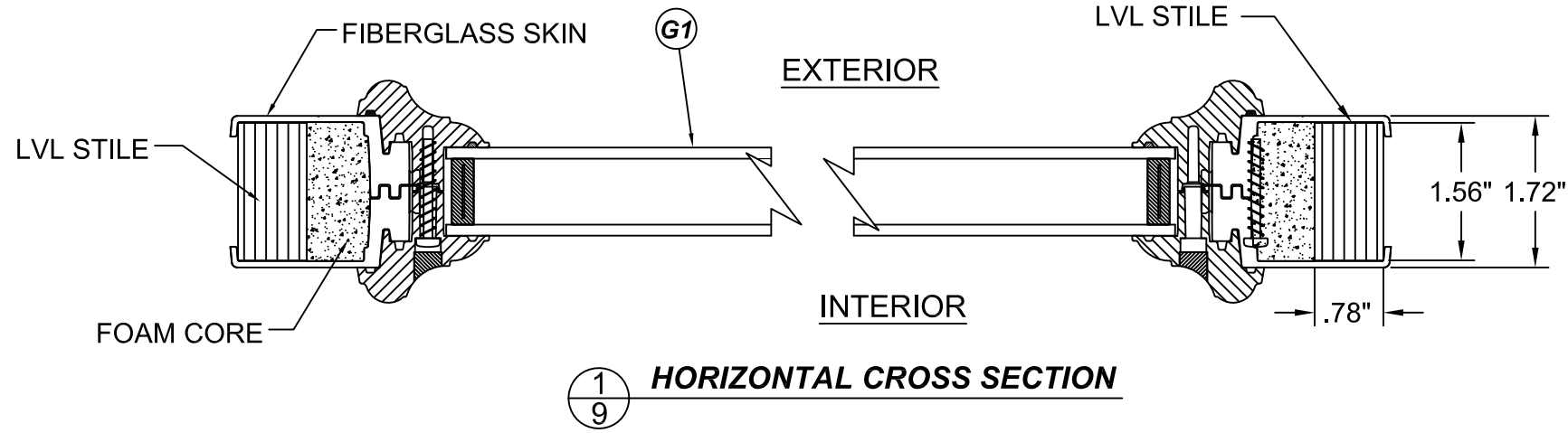
| NO. | DESCRIPTION | BY | DATE |
|-----|-------------|----|------|
| | | | |
| | | | |
| | | | |



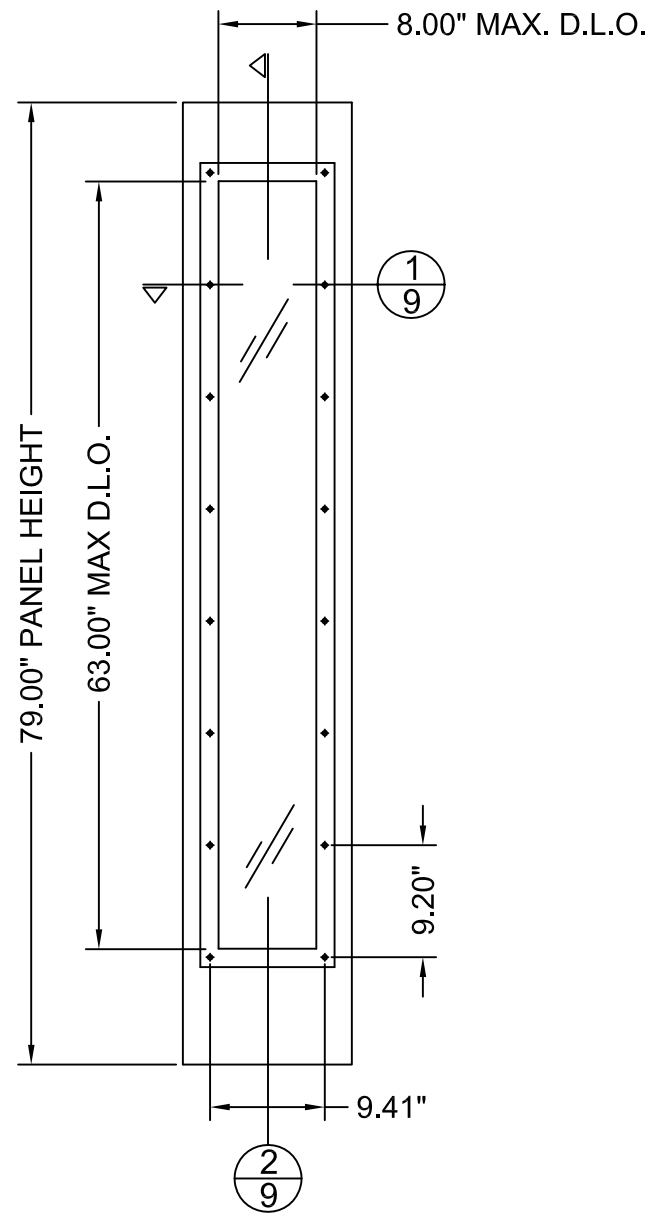
| | |
|---------|----------|
| DATE: | 07.14.16 |
| DWN BY: | LS |
| CHK BY: | LFN |
| SCALE: | NTS |

DWG #: **FL-20867.4**

SHEET: **8 OF 30**

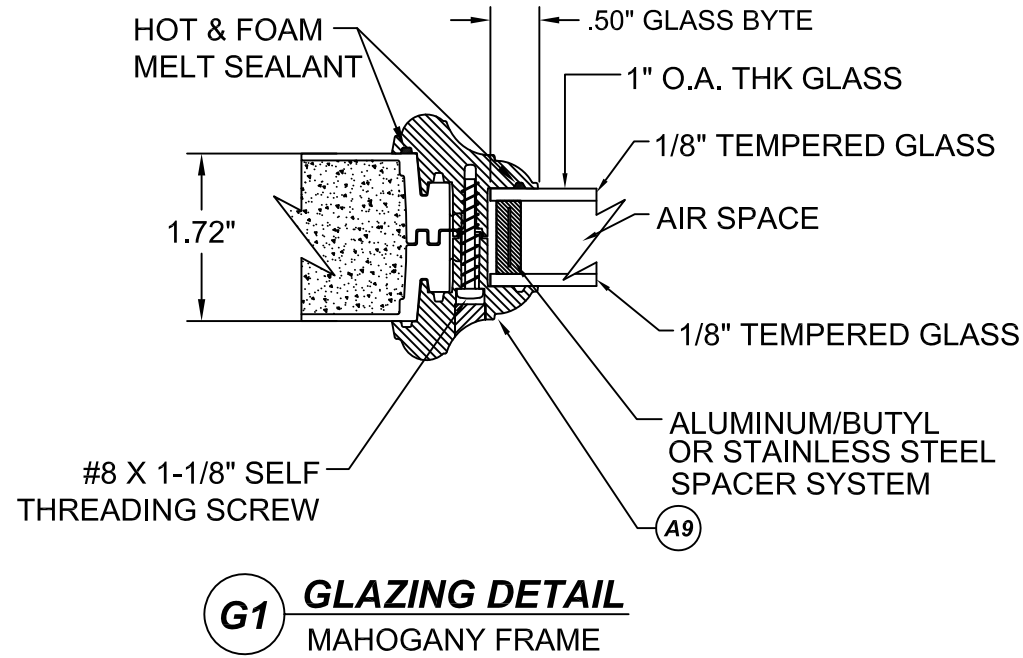


1 **HORIZONTAL CROSS SECTION**

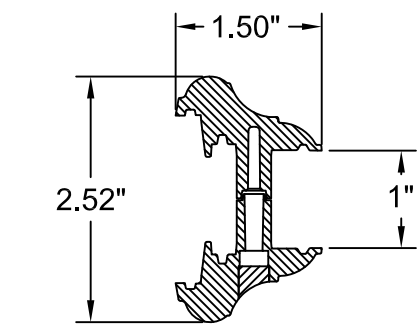


12C **SIDELITE PANEL**
 MAHOGANY FRAME

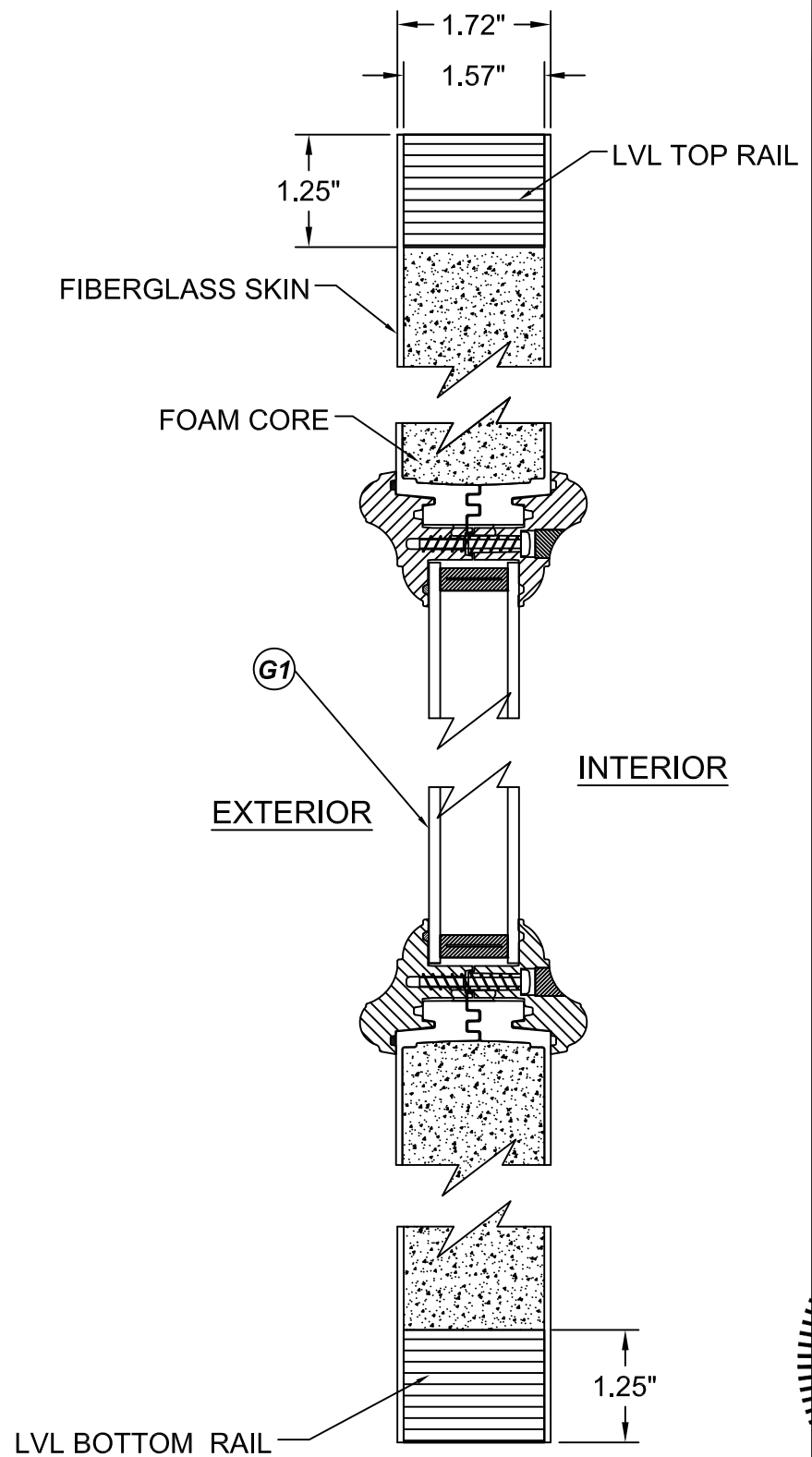
FIBERGLASS SKIN: 0.079" THICK MIN.
 FOAM CORE: POLYURETHANE



G1 **GLAZING DETAIL**
 MAHOGANY FRAME



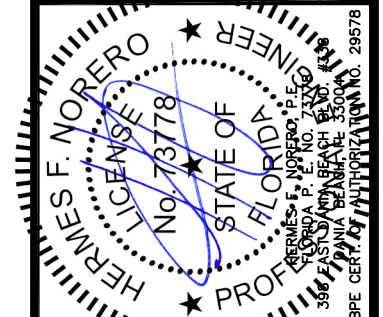
A9 **MAHOGANY FRAME**
 ABS or PC/ASA



2 **VERTICAL CROSS SECTION**

TITLE: OPAQUE FIBERGLASS DOOR
 NON-IMP. INSWING/OUTSWING
SIDELITE PANEL
CONSTRUCTION DETAILS
PREPARED BY:
 BUILDING DROPS, INC.
 398 E. DANIA BEACH BLVD. #338
 DANIA BEACH, FL 33004
 PH: (954) 399-8478 FX: (954) 744-4738

| REVISIONS | |
|-----------|-------------|
| NO. | DESCRIPTION |
| | |
| | |
| | |
| | |
| | |
| | |
| | |
| | |
| | |



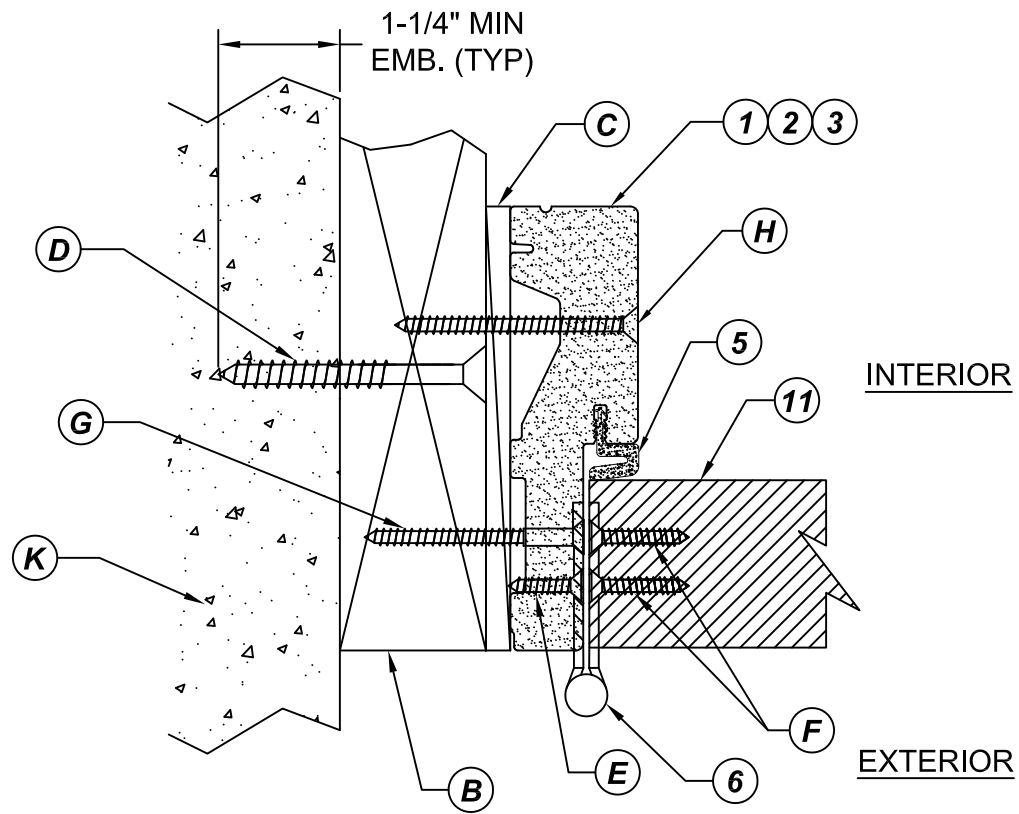
| | |
|---------|----------|
| DATE: | 07.14.16 |
| DWN BY: | LS |
| CHK BY: | LFN |
| SCALE: | NTS |

DWG #:
FL-20867.4
 SHEET: **9 OF 30**

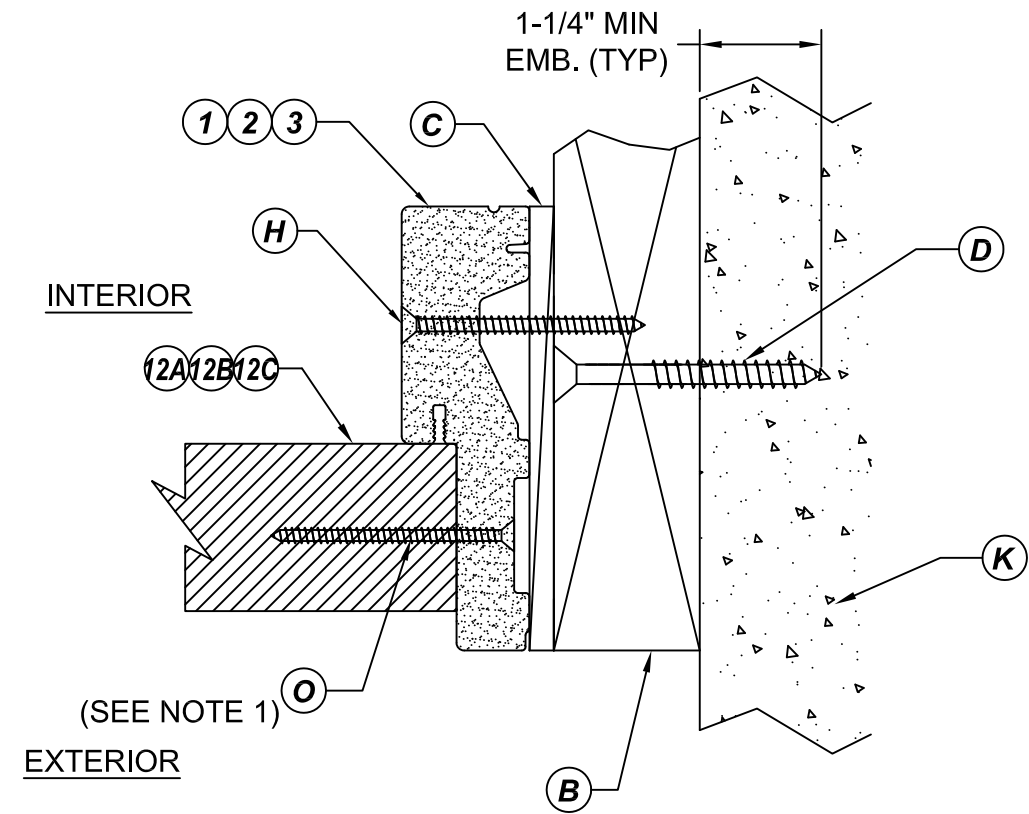
TITLE: OPAQUE FIBERGLASS DOOR
NON-IMP. INSWING/OUTSWING

HORIZONTAL
CROSS SECTIONS

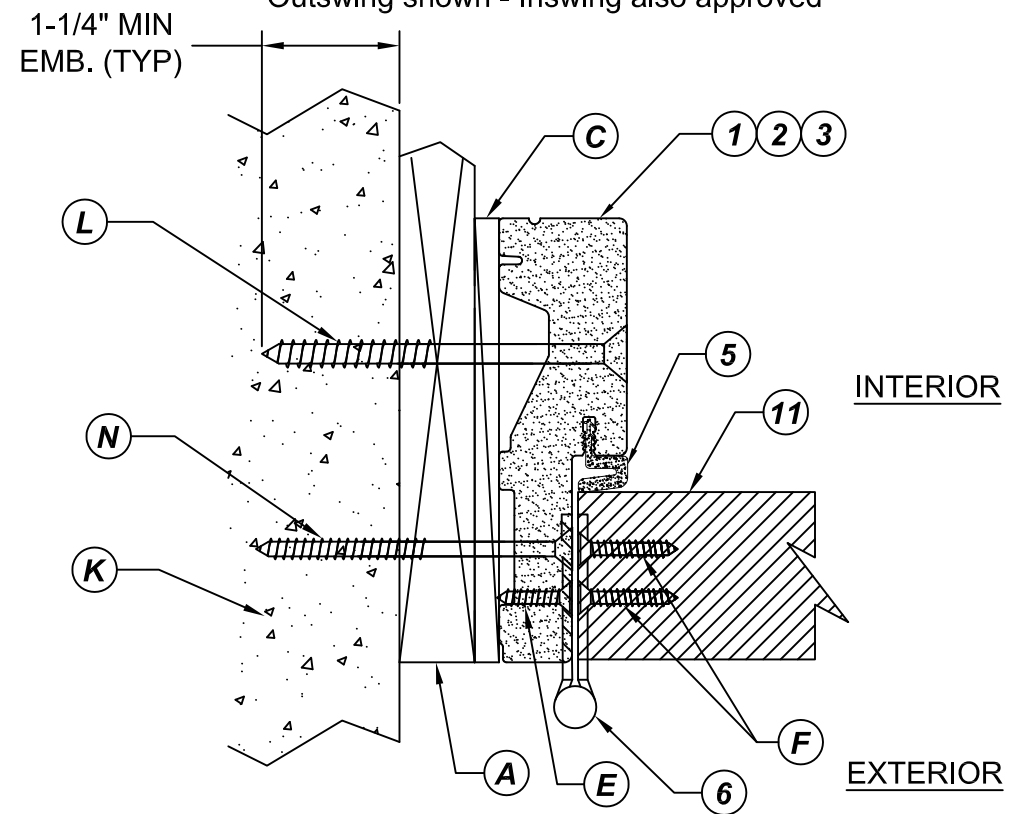
PREPARED BY:
BUILDING DROPS, INC.
398 E. DANIA BEACH BLVD. #338
DANIA BEACH, FL 33004
PH: (954) 399-8478 FX: (954) 744-4738



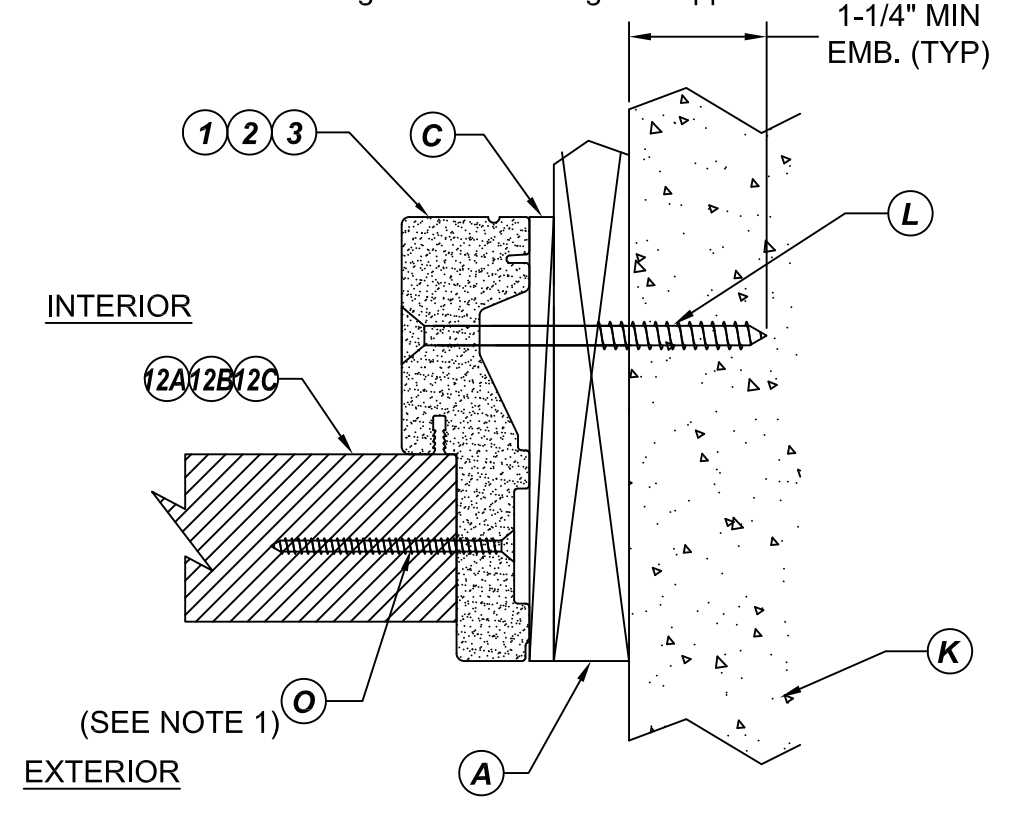
1 **HORIZONTAL CROSS SECTION**
10 SHOWN W/ 2X WOOD BUCK
Outswing shown - Inswing also approved



2 **HORIZONTAL CROSS SECTION**
10 SHOWN W/ 2X WOOD BUCK
Outswing shown - Inswing also approved



3 **HORIZONTAL CROSS SECTION**
10 SHOWN W/ 1X WOOD BUCK
Outswing shown - Inswing also approved



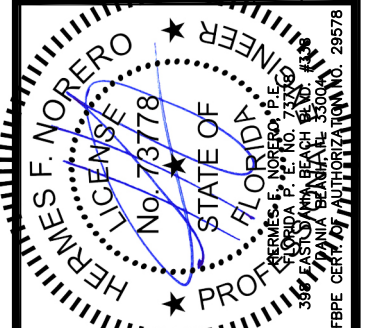
4 **HORIZONTAL CROSS SECTION**
10 SHOWN W/ 1X WOOD BUCK
Outswing shown - Inswing also approved

NOTE:

1. SIDELITE SCREWS LOCATED 6" FROM EACH END OF SIDE JAMB AND 3 EQUALLY SPACED SCREWS FROM THE END SCREWS.

REVISIONS

| NO. | DESCRIPTION | BY | DATE |
|-----|-------------|----|------|
| | | | |

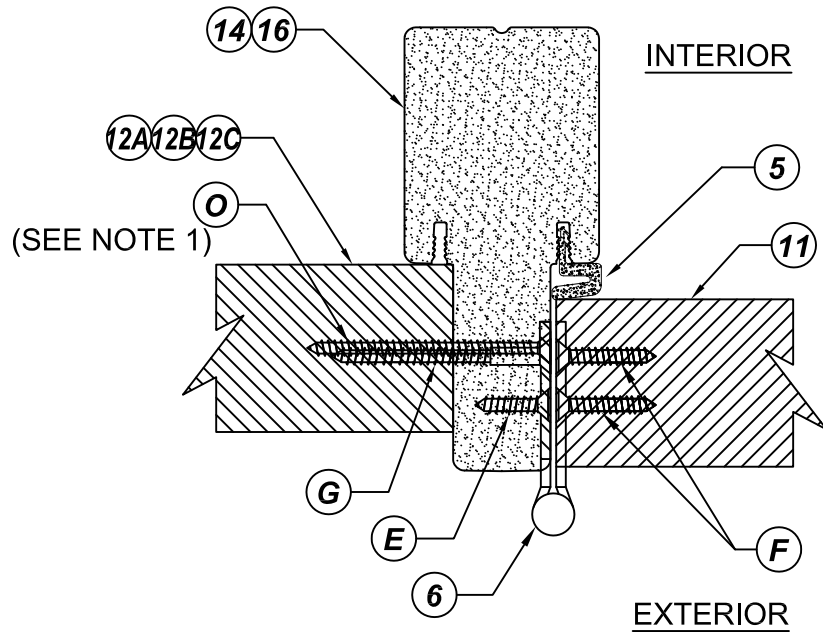


| | | | |
|-------------------|---------------|----------------|---------------|
| DATE: 07.14.16 | DWN BY: LS | CHK BY: HFN | SCALE: NTS |
|-------------------|---------------|----------------|---------------|

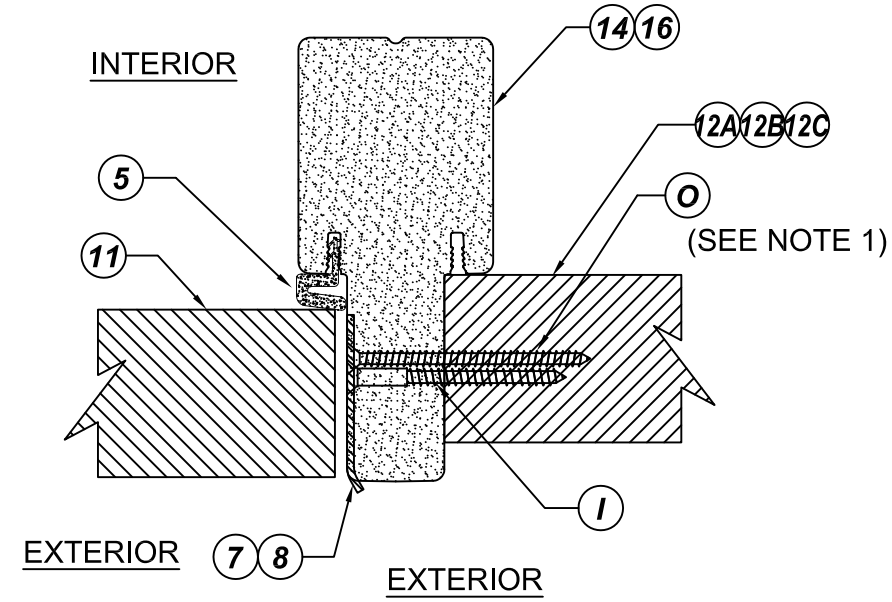
TITLE: OPAQUE FIBERGLASS DOOR
NON-IMP. INSWING/OUTSWING

HORIZONTAL
CROSS SECTIONS

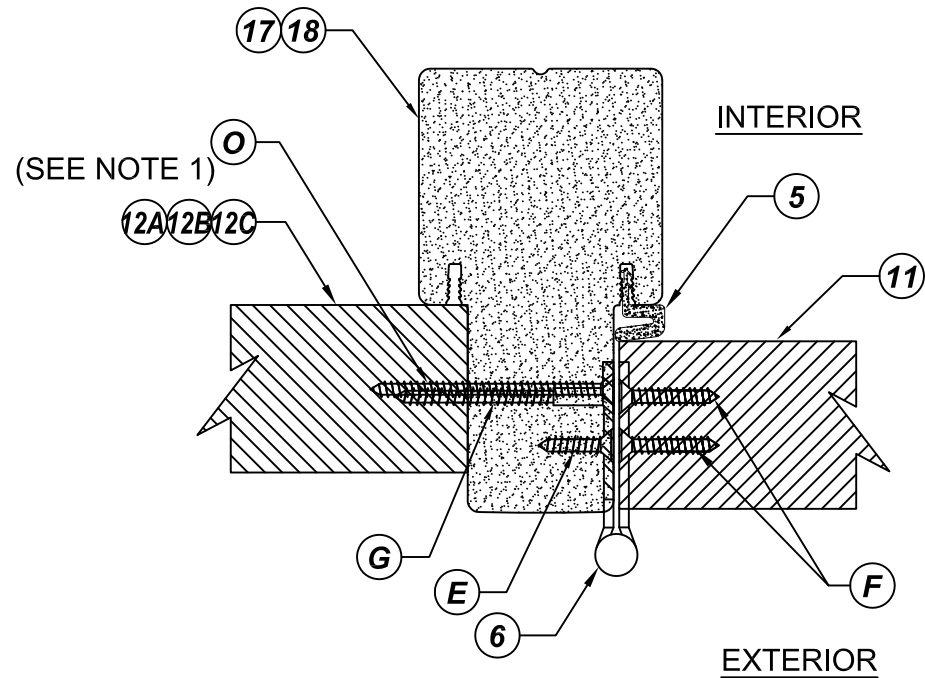
PREPARED BY:
BUILDING DROPS, INC.
398 E. DANIA BEACH BLVD. #3338
DANIA BEACH, FL 33004
PH: (954) 399-8478 FX: (954) 744-4738



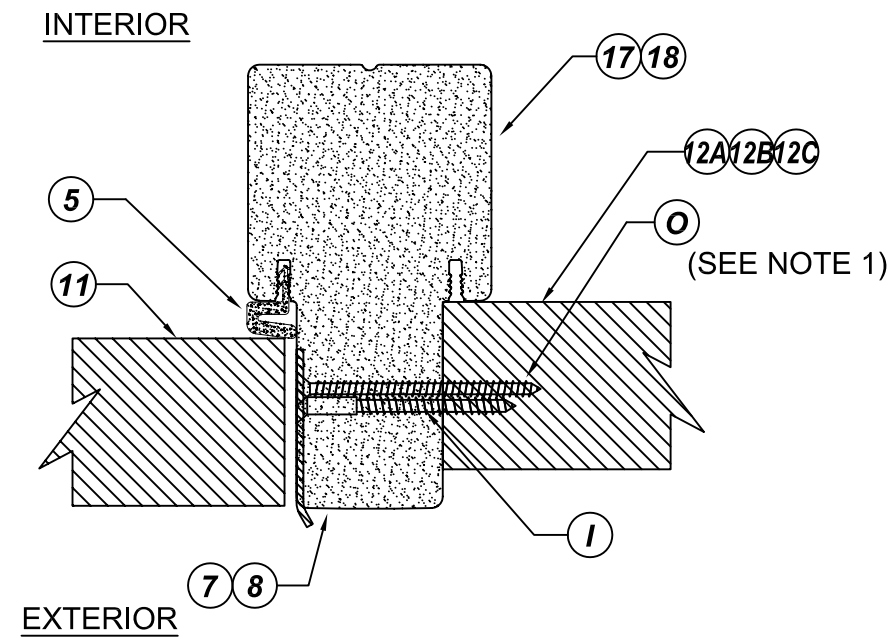
1
11 HORIZONTAL CROSS SECTION
Outswing shown - Inswing also approved



2
11 HORIZONTAL CROSS SECTION
Outswing shown - Inswing also approved



3
11 HORIZONTAL CROSS SECTION
Outswing shown - Inswing also approved

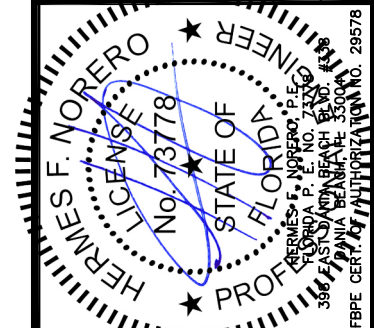


4
11 HORIZONTAL CROSS SECTION
Outswing shown - Inswing also approved

NOTE:
1. SIDELITE SCREWS LOCATED 6" FROM EACH END OF MULLION AND 3 EQUALLY SPACED SCREWS FROM THE END SCREWS.

REVISIONS

| NO. | DESCRIPTION | BY | DATE |
|-----|-------------|----|------|
| | | | |
| | | | |
| | | | |



| | | | |
|----------|---------|---------|--------|
| DATE: | DWN BY: | CHK BY: | SCALE: |
| 07.14.16 | LS | HFN | NTS |

DWG #:
FL-20867.4
SHEET: **11 OF 30**

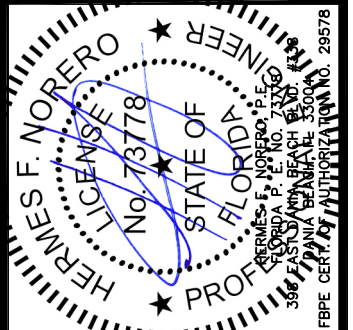
TITLE: OPAQUE FIBERGLASS DOOR
NON-IMP. INSWING/OUTSWING

HORIZONTAL
CROSS SECTIONS

PREPARED BY:
BUILDING DROPS, INC.
398 E. DANIA BEACH BLVD. #338
DANIA BEACH, FL 33004
PH: (954) 399-8478 FX: (954) 744-4738

REVISIONS

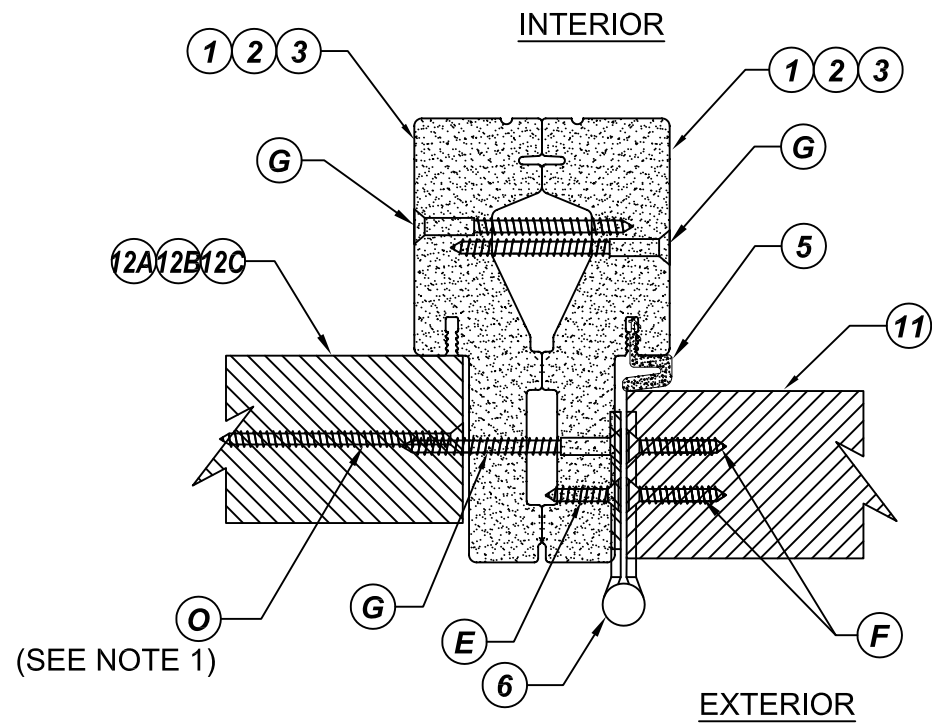
| NO. | DESCRIPTION | BY | DATE |
|-----|-------------|----|------|
| | | | |
| | | | |
| | | | |



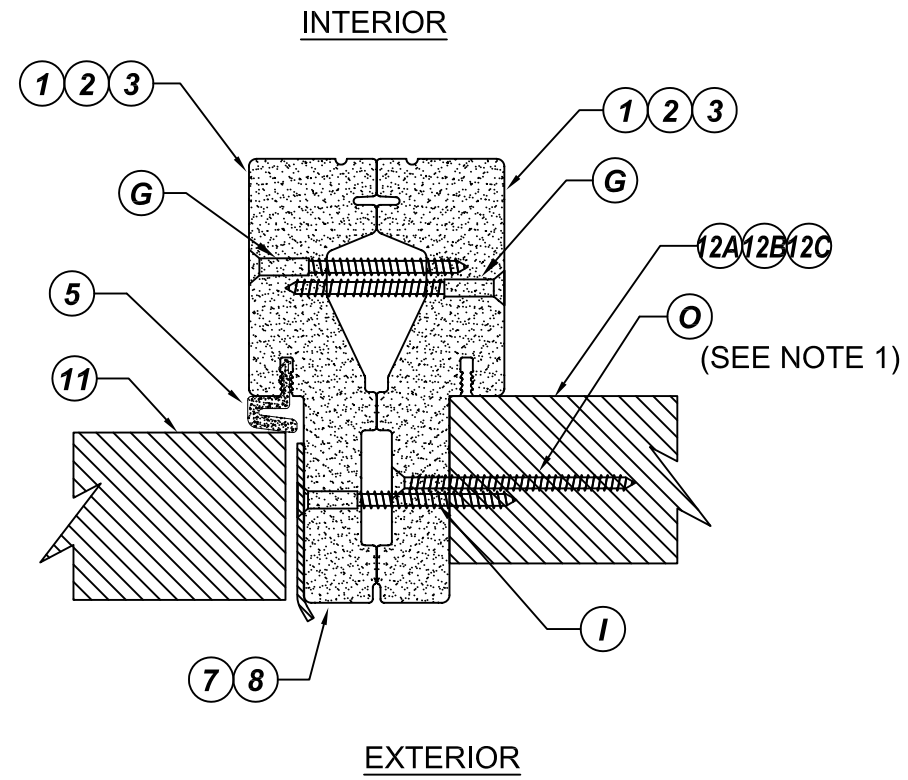
| | |
|---------|----------|
| DATE: | 07.14.16 |
| DWN BY: | LS |
| CHK BY: | HFN |
| SCALE: | NTS |

DWG #: **FL-20867.4**

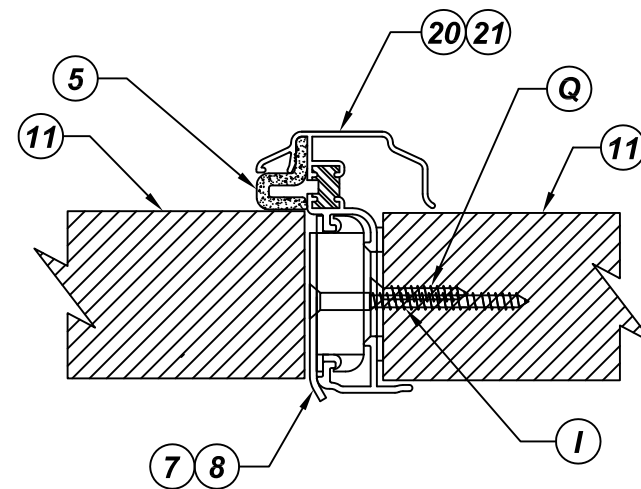
SHEET: **12 OF 30**



1
12 HORIZONTAL CROSS SECTION
Outswing shown - Inswing also approved



2
12 HORIZONTAL CROSS SECTION
Outswing shown - Inswing also approved



3
12 HORIZONTAL CROSS SECTION
Outswing shown - Inswing also approved

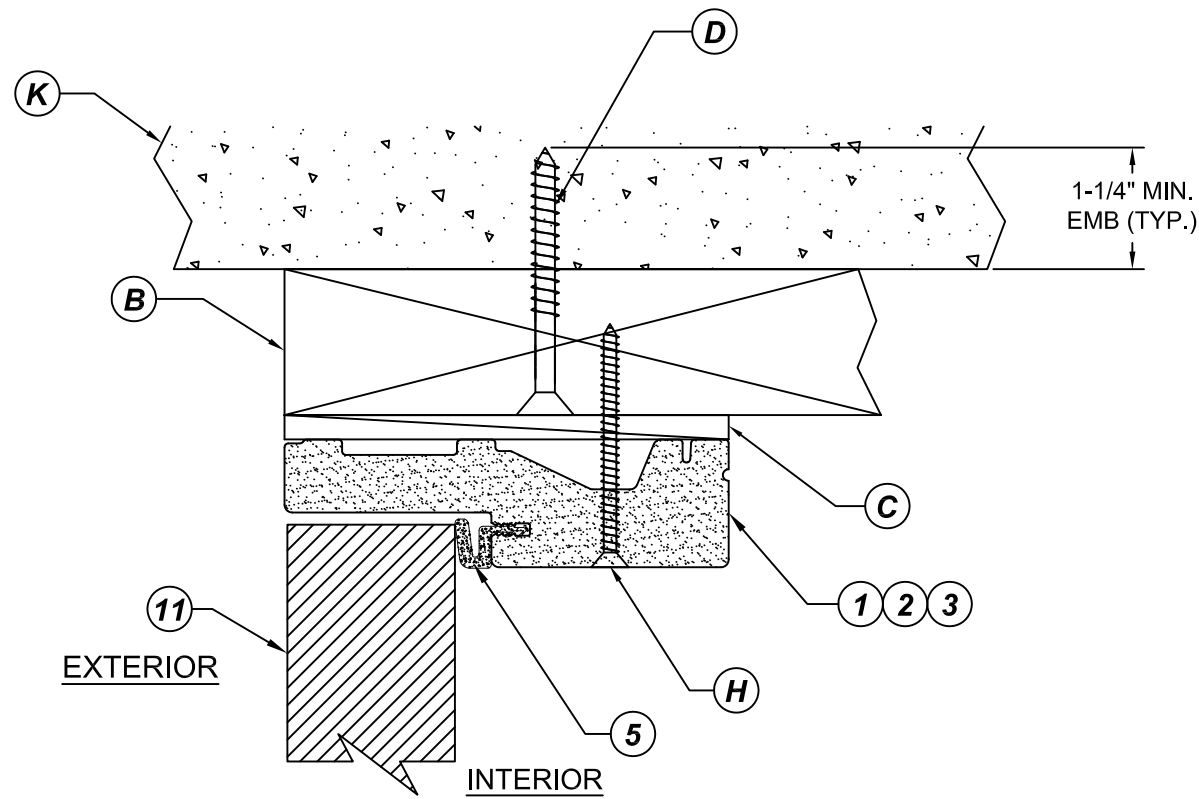
NOTE:

1. SIDELITE SCREWS LOCATED 6" FROM EACH END OF MULLION AND 3 EQUALLY SPACED SCREWS FROM THE END SCREWS.

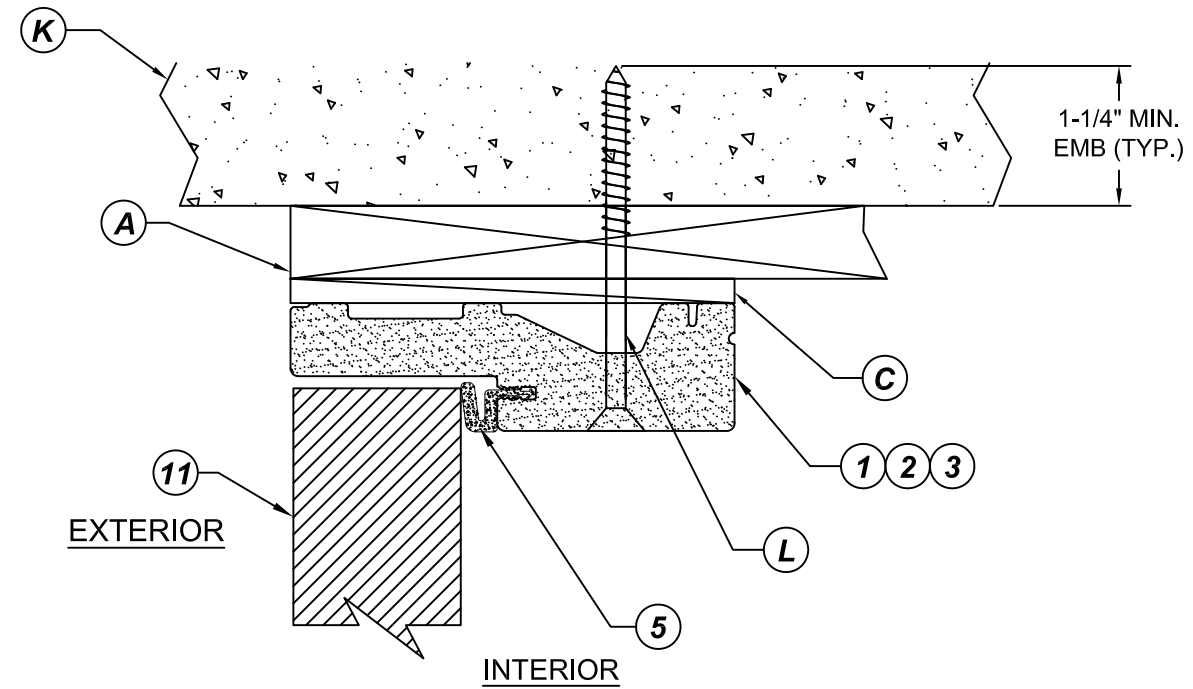
TITLE: OPAQUE FIBERGLASS DOOR
NON-IMP. INSWING/OUTSWING

VERTICAL
CROSS SECTIONS

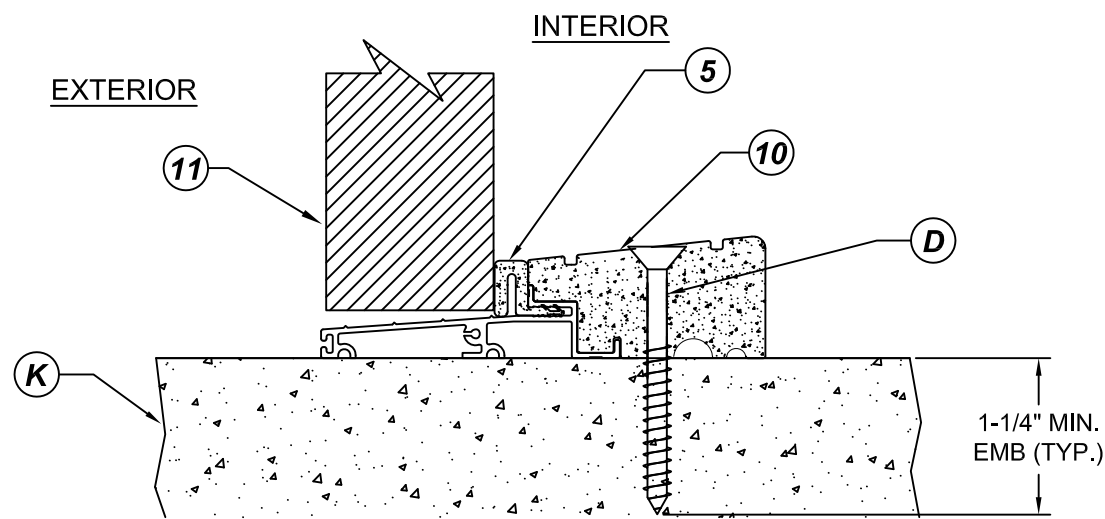
PREPARED BY:
BUILDING DROPS, INC.
398 E. DANIA BEACH BLVD. #338
DANIA BEACH, FL 33004
PH: (954) 399-8478 FX: (954) 744-4738



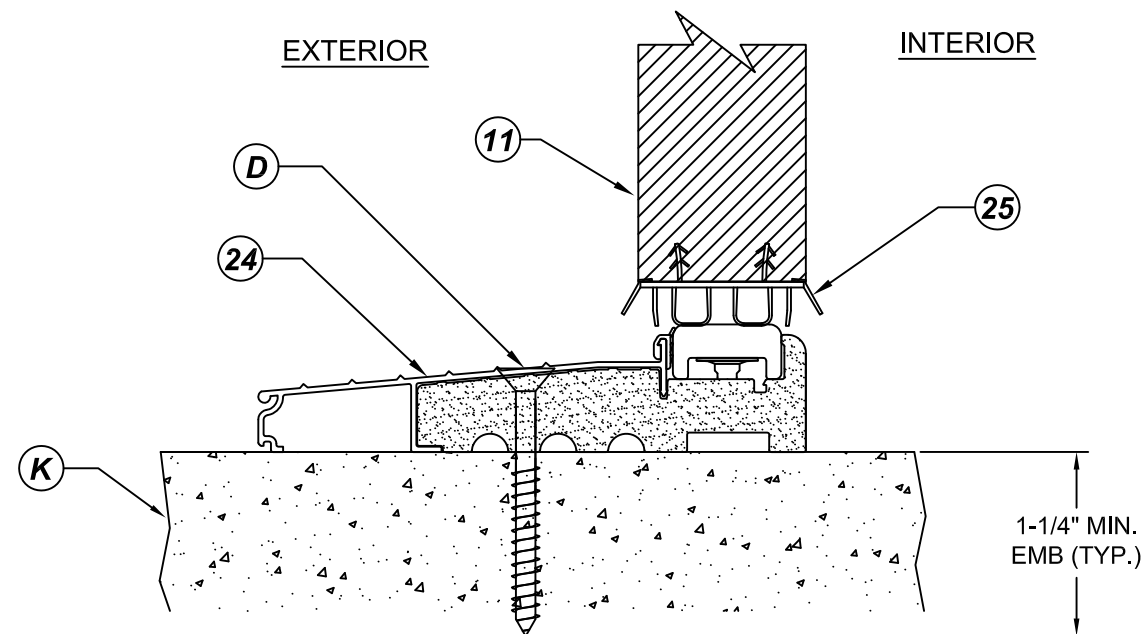
1
13 **VERTICAL CROSS SECTION**
SHOWN W/ 2X WOOD BUCK
Outswing shown - Inswing also approved



2
13 **VERTICAL CROSS SECTION**
SHOWN W/ 1X WOOD BUCK
Outswing shown - Inswing also approved



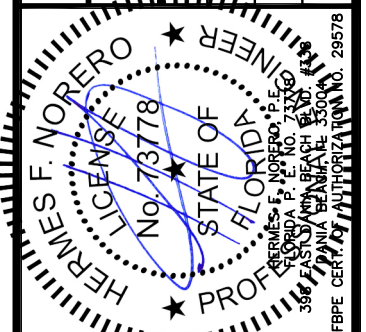
3
13 **VERTICAL CROSS SECTION**
OUTSWING SILL



4
13 **VERTICAL CROSS SECTION**
INSWING SILL

REVISIONS

| NO. | DESCRIPTION | BY | DATE |
|-----|-------------|----|------|
| | | | |
| | | | |
| | | | |
| | | | |



DATE: 07.14.16
DWN BY: LS
CHK BY: HFN
SCALE: NTS

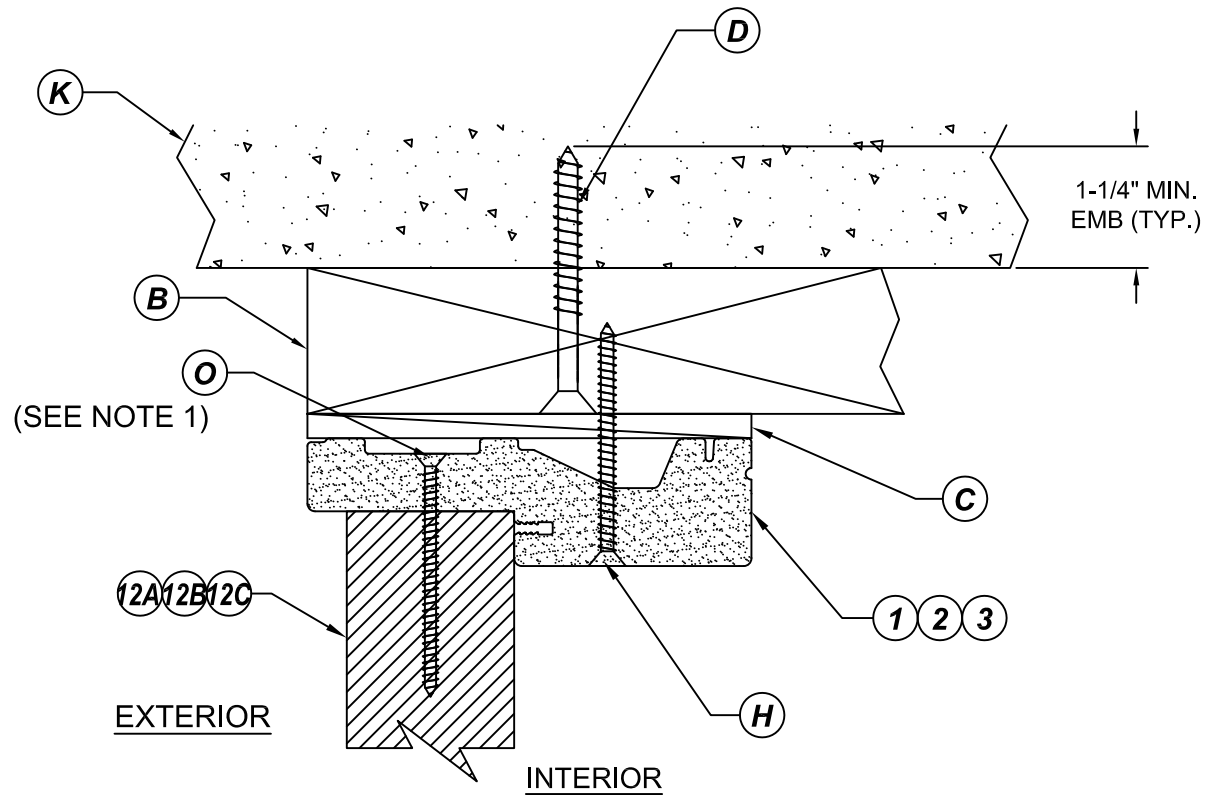
DWG #: **FL-20867.4**

SHEET: **13 OF 30**

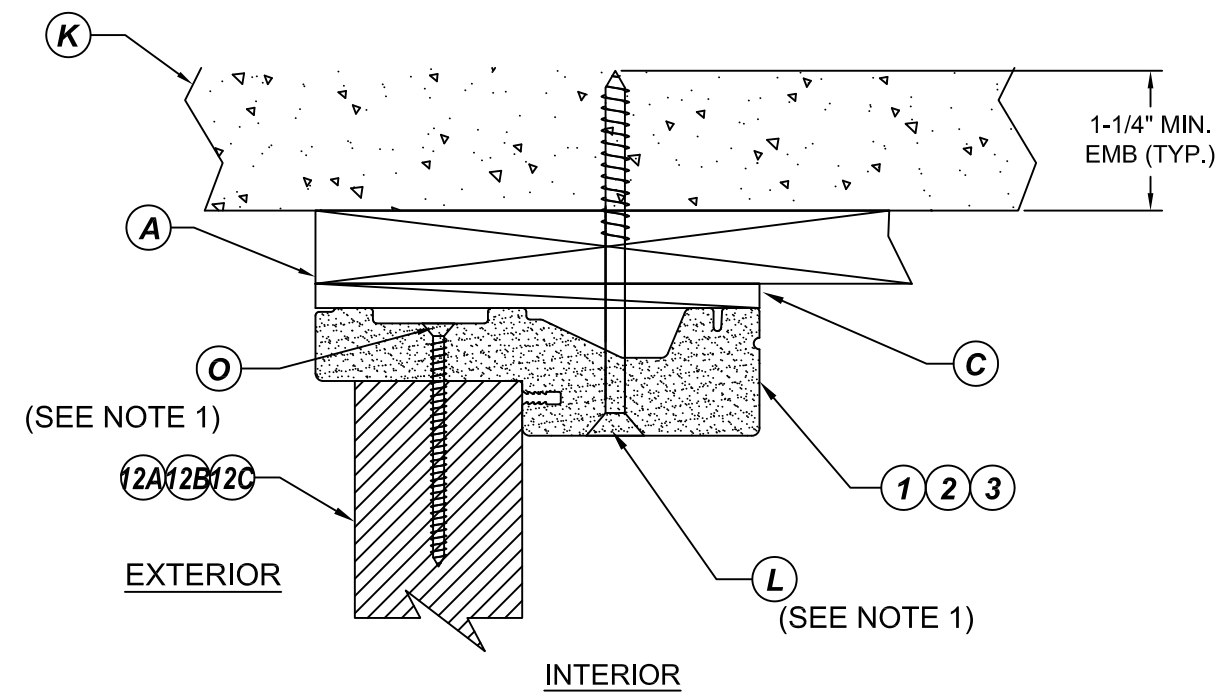
TITLE: OPAQUE FIBERGLASS DOOR
NON-IMP. INSWING/OUTSWING

VERTICAL
CROSS SECTIONS

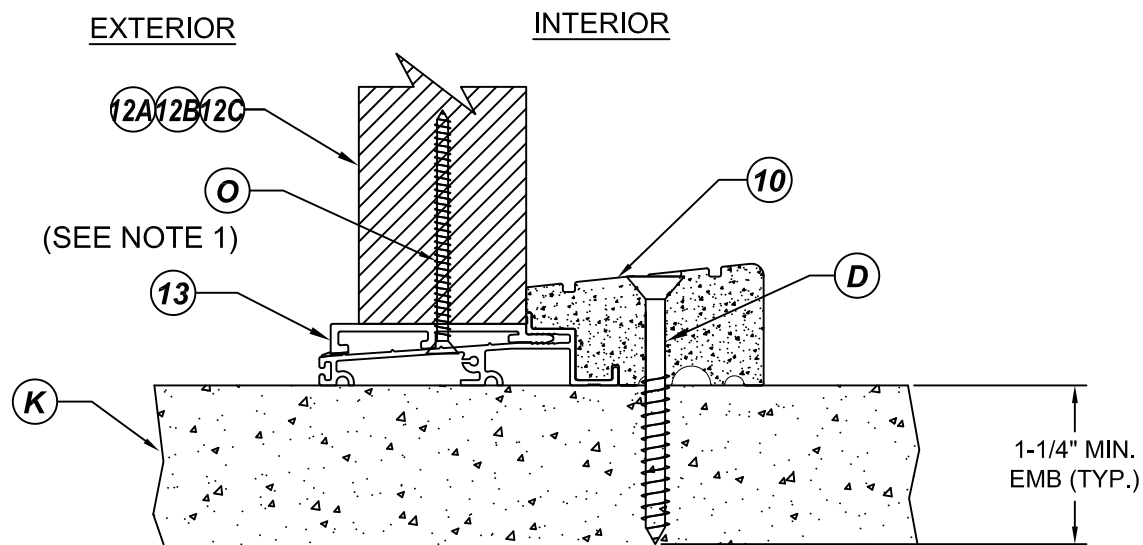
PREPARED BY:
BUILDING DROPS, INC.
398 E. DANIA BEACH BLVD. #338
DANIA BEACH, FL 33004
PH: (954) 399-8478 FX: (954) 744-4738



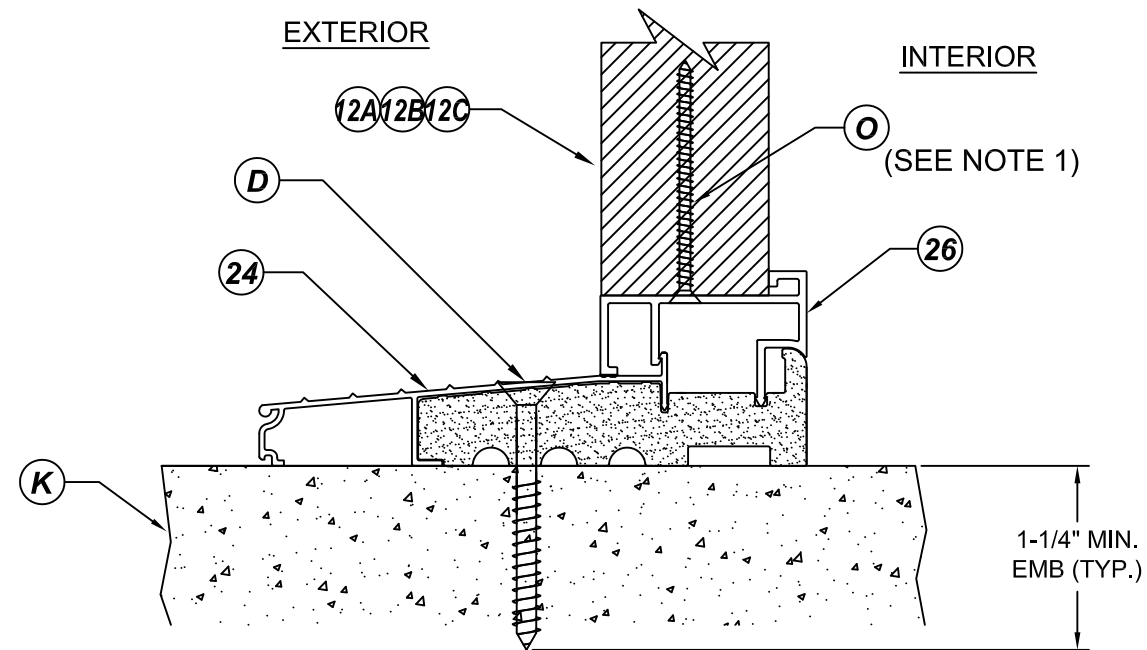
1
14 **VERTICAL CROSS SECTION**
SHOWN W/ 1X WOOD BUCK
Outswing shown - Inswing also approved



2
14 **VERTICAL CROSS SECTION**
SHOWN W/ 1X WOOD BUCK
Outswing shown - Inswing also approved



3
14 **VERTICAL CROSS SECTION**
OUTSWING SILL



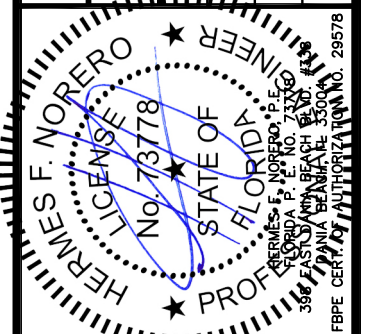
4
14 **VERTICAL CROSS SECTION**
INSWING SILL

NOTE:

1. SIDELITE SCREWS THRU HEADER AND SILL LOCATED AT CENTER OF EACH SIDELITE TOP AND BOTTOM RAILS.

REVISIONS

| NO. | DESCRIPTION | BY | DATE |
|-----|-------------|----|------|
| | | | |
| | | | |
| | | | |



| | |
|---------|----------|
| DATE: | 07.14.16 |
| DWN BY: | LS |
| CHK BY: | HFN |
| SCALE: | NTS |

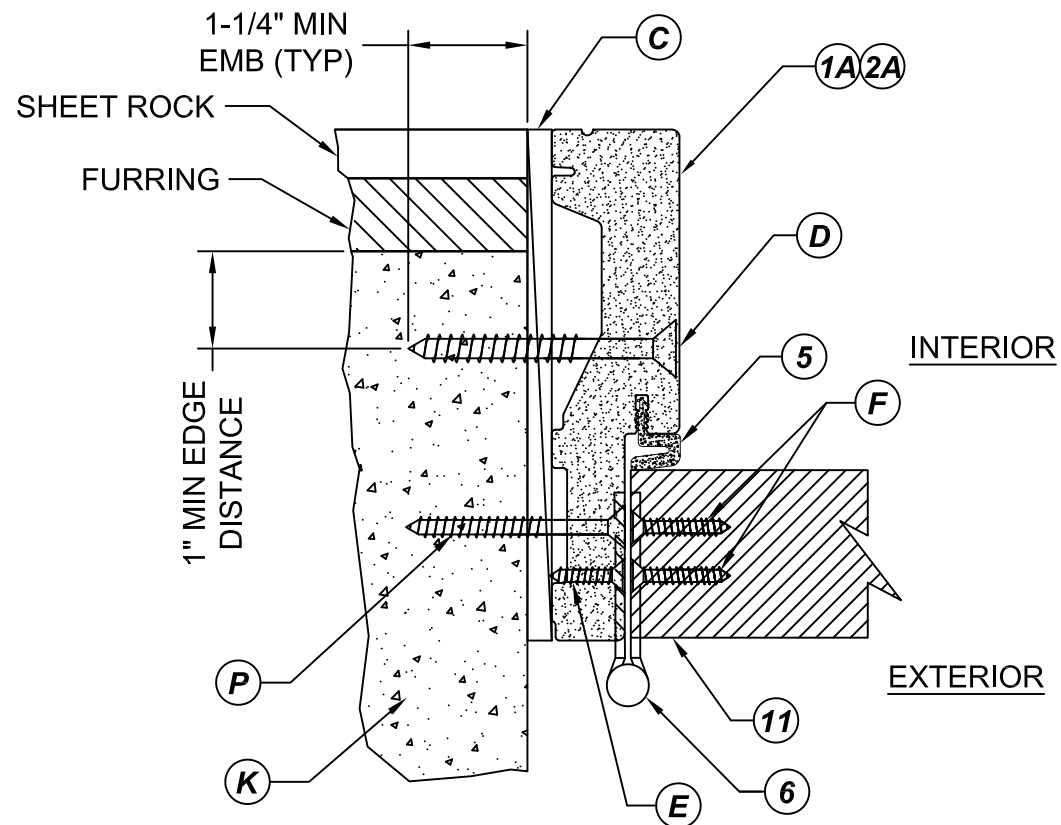
DWG #:
FL-20867.4

SHEET: **14 OF 30**

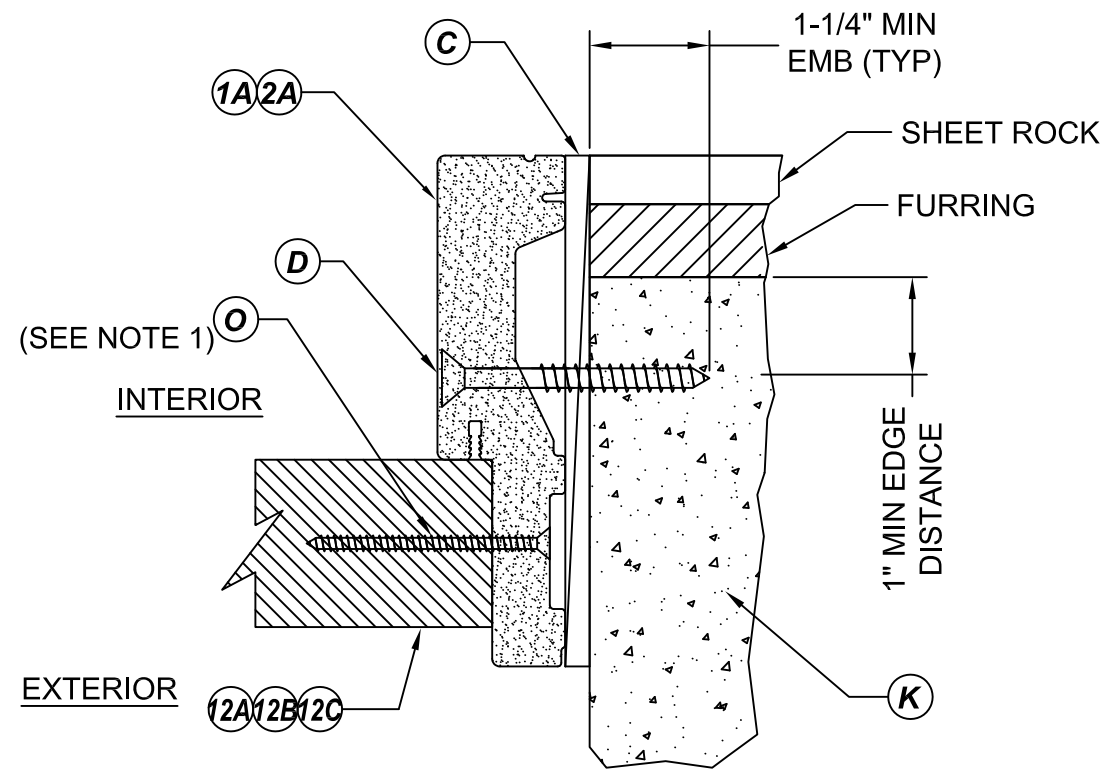
TITLE: OPAQUE FIBERGLASS DOOR
NON-IMP. INSWING/OUTSWING

HORIZONTAL & VERTICAL
CROSS SECTIONS

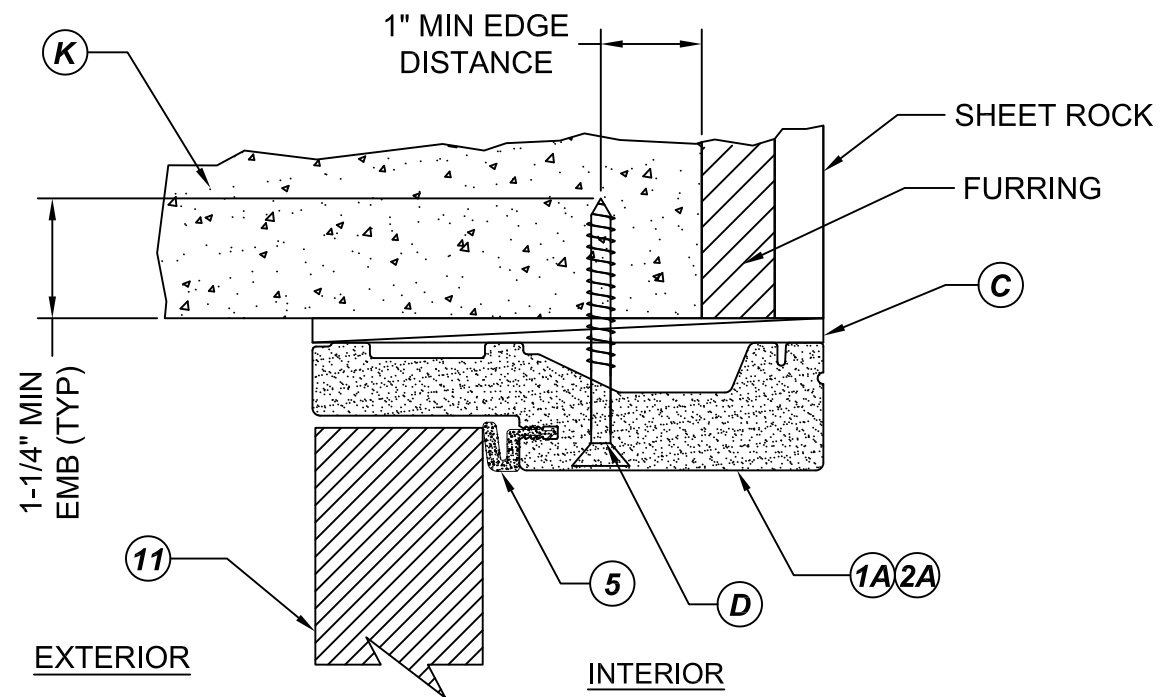
PREPARED BY:
BUILDING DROPS, INC.
398 E. DANIA BEACH BLVD. #338
DANIA BEACH, FL 33004
PH: (954) 399-8478 FX: (954) 744-4738



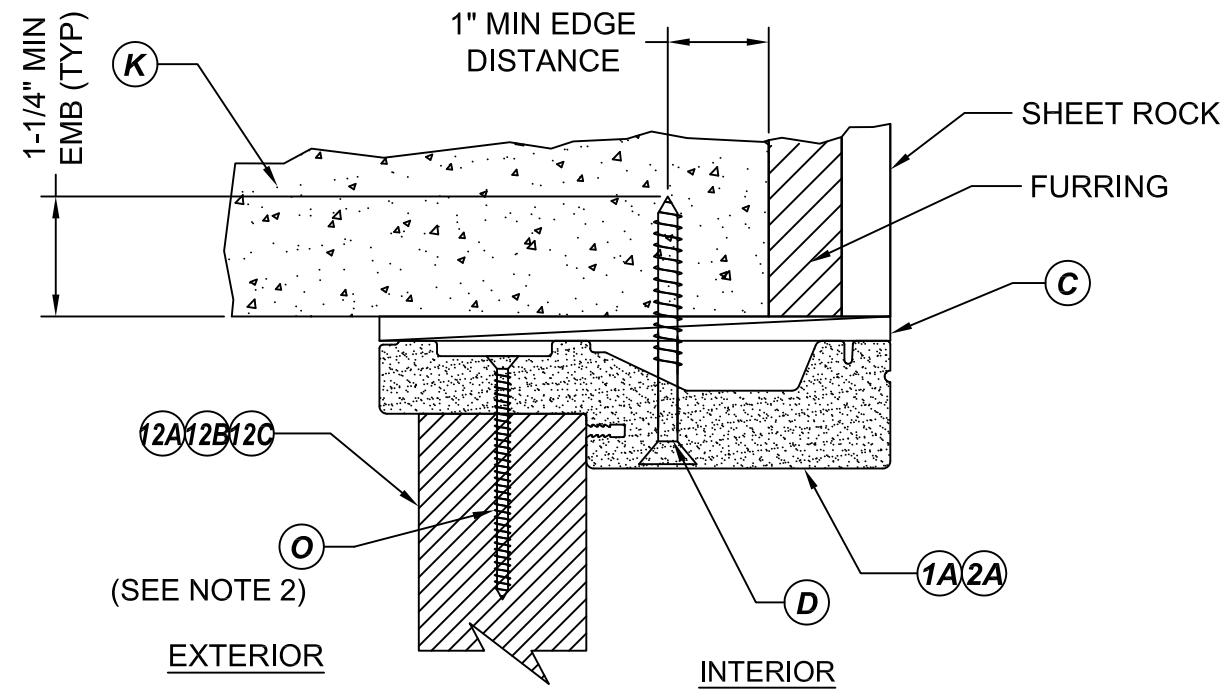
1
15 **HORIZONTAL CROSS SECTION**
Direct to masonry (5-1/4" min jamb)
Outswing shown - Inswing also approved



2
15 **HORIZONTAL CROSS SECTION**
Direct to masonry (5-1/4" min jamb)
Outswing shown - Inswing also approved



3
15 **VERTICAL CROSS SECTION**
Direct to masonry (5-1/4" min jamb)
Outswing shown - Inswing also approved



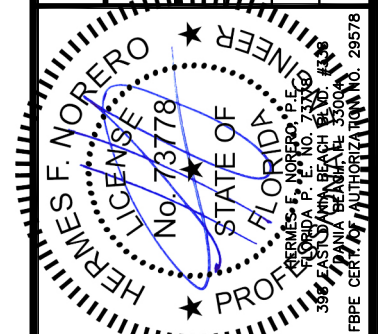
4
15 **VERTICAL CROSS SECTION**
Direct to masonry (5-1/4" min jamb)
Outswing shown - Inswing also approved

NOTE:

- SIDELITE SCREWS LOCATED 6" FROM EACH END OF JAMB AND 3 EQUALLY SPACED SCREWS FROM THE END SCREWS.
- SIDELITE SCREWS THRU HEADER AND SILL LOCATED AT CENTER OF EACH SIDELITE TOP AND BOTTOM RAILS.

REVISIONS

| NO. | DESCRIPTION | BY | DATE |
|-----|-------------|----|------|
| | | | |
| | | | |
| | | | |



| | |
|---------|----------|
| DATE: | 07.14.16 |
| DWN BY: | LS |
| CHK BY: | LFN |
| SCALE: | NTS |

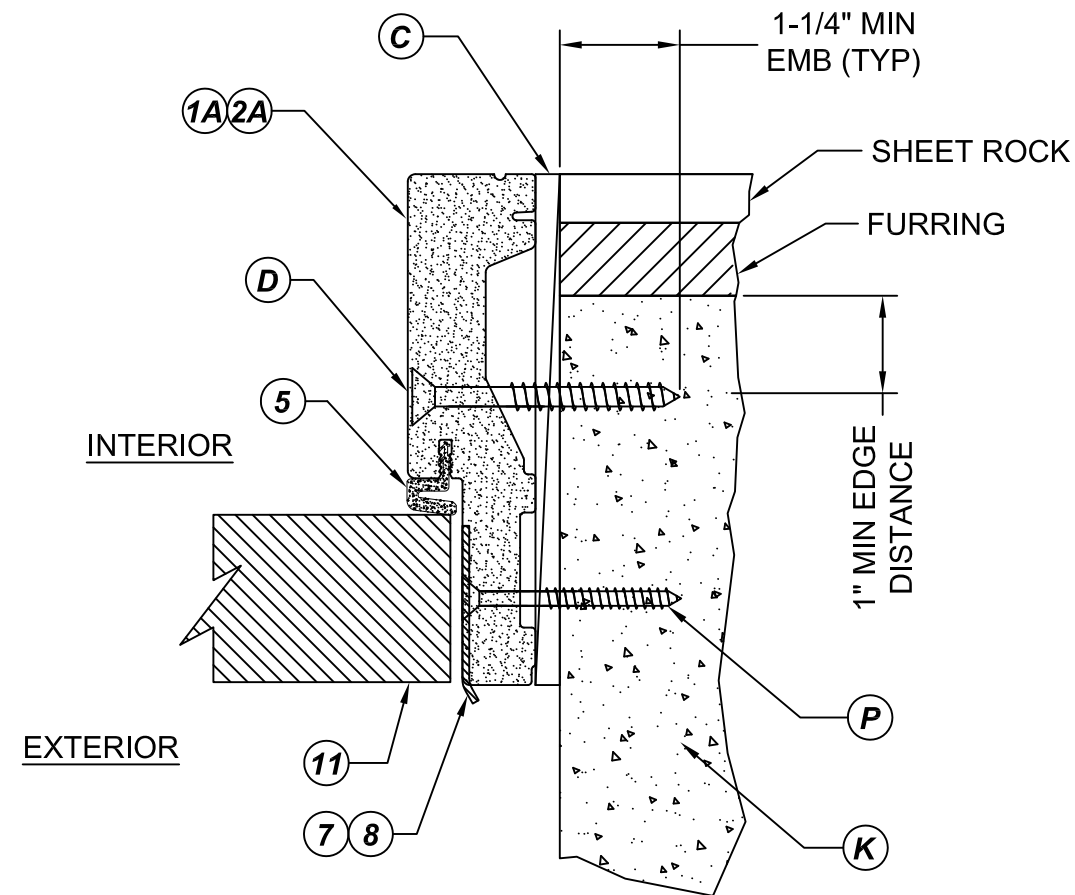
DWG #:
FL-20867.4

SHEET: **15 OF 30**

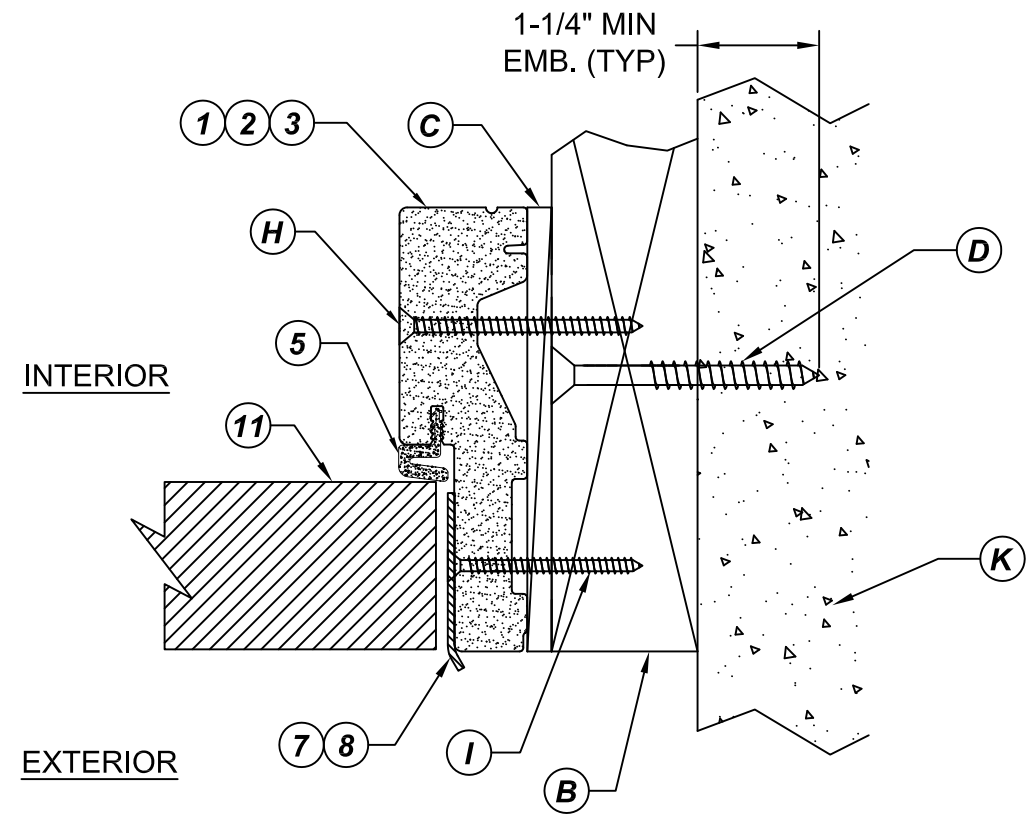
TITLE: OPAQUE FIBERGLASS DOOR
NON-IMP. INSWING/OUTSWING

HORIZONTAL
CROSS SECTIONS

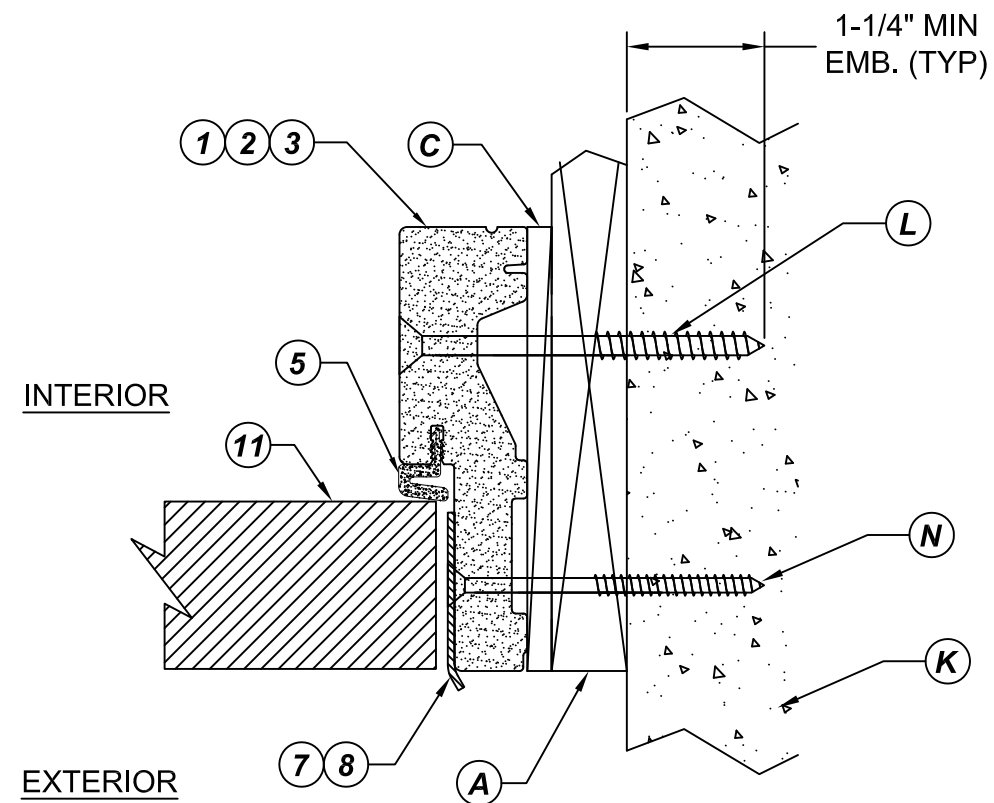
PREPARED BY:
BUILDING DROPS, INC.
398 E. DANIA BEACH BLVD. #338
DANIA BEACH, FL 33004
PH: (954) 399-8478 FX: (954) 744-4738



1
16 **HORIZONTAL CROSS SECTION**
Direct to masonry (5-1/4" min jamb)
Outswing shown - Inswing also approved



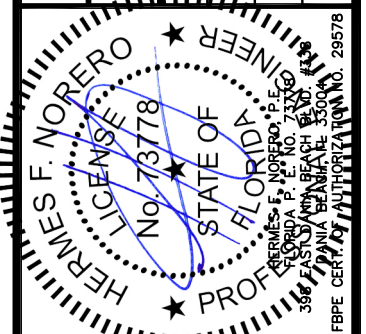
2
16 **HORIZONTAL CROSS SECTION**
SHOWN W/ 2X WOOD BUCK
Outswing shown - Inswing also approved



3
16 **HORIZONTAL CROSS SECTION**
SHOWN W/ 1X WOOD BUCK
Outswing shown - Inswing also approved

REVISIONS

| NO. | DESCRIPTION | BY | DATE |
|-----|-------------|----|------|
| | | | |
| | | | |
| | | | |
| | | | |



DATE: 07.14.16
DWN BY: LS
CHK BY: HFN
SCALE: NTS

DWG #: **FL-20867.4**

SHEET: **16 OF 30**

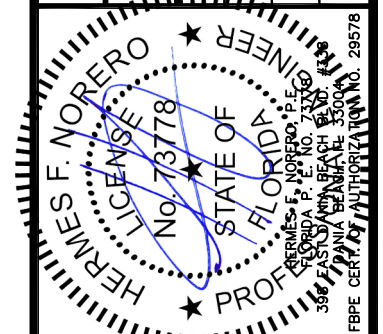
TITLE: OPAQUE FIBERGLASS DOOR
NON-IMP. INSWING/OUTSWING

BUCK & FRAME
ANCHORING

PREPARED BY:
BUILDING DROPS, INC.
398 E. DANIA BEACH BLVD. #338
DANIA BEACH, FL 33004
PH: (954) 399-8478 FX: (954) 744-4738

REVISIONS

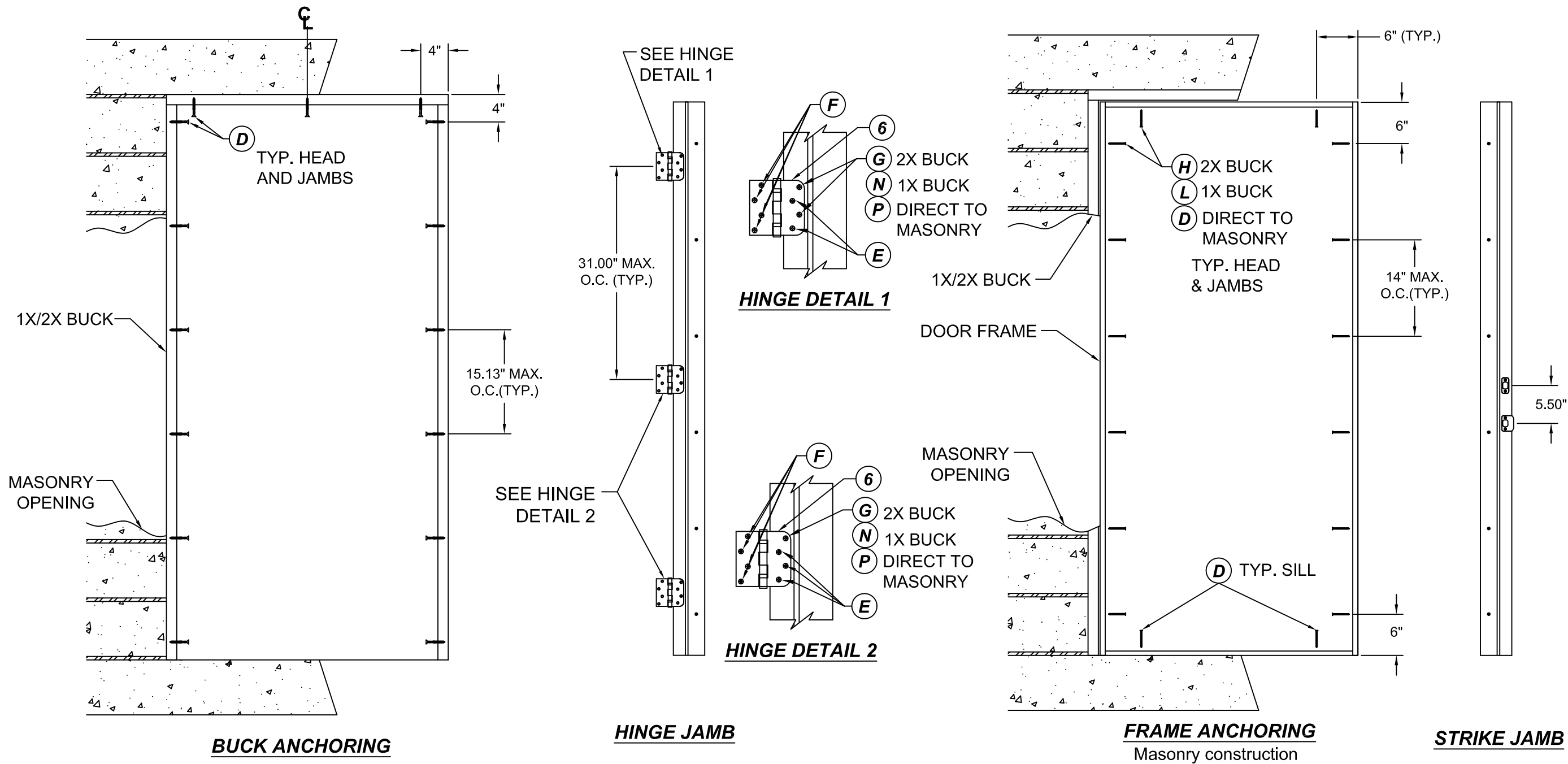
| NO. | DESCRIPTION | BY DATE | |
|-----|-------------|---------|------|
| | | BY | DATE |
| | | | |
| | | | |
| | | | |



| | | | |
|----------|---------|---------|--------|
| DATE: | DWN BY: | CHK BY: | SCALE: |
| 07.14.16 | LS | HFN | NTS |

DWG #: **FL-20867.4**

SHEET: **17 OF 30**



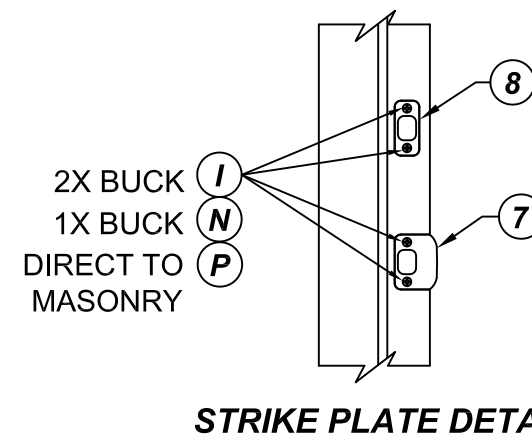
CONCRETE ANCHOR NOTES:

- Concrete anchor locations noted as "MAX ON CENTER" and at the corners must be adjusted to maintain min. edge distance to mortar joints. Additional concrete anchors may be required to ensure the "MAX ON CENTER" dimensions are not exceeded.
- Concrete anchor table:

| ANCHOR TYPE | ANCHOR SIZE | MIN. EMBEDMENT | MIN. CLEARANCE TO MASONRY EDGE | MIN CLEARANCE TO ADJUSTMENT ANCHOR |
|---------------------|-------------|----------------|--------------------------------|------------------------------------|
| ITW BUILDEX TAPCON® | 1/4" | 1-1/4" | 2" | 4" |
| ELCO ULTRAACON® | 1/4" | 1-1/4" | 1" | 4" |
| ITW BUILDEX TAPCON® | 3/16" | 1-1/4" | 3" | 1-1/2" |

WOOD SCREW INSTALLATION NOTES:

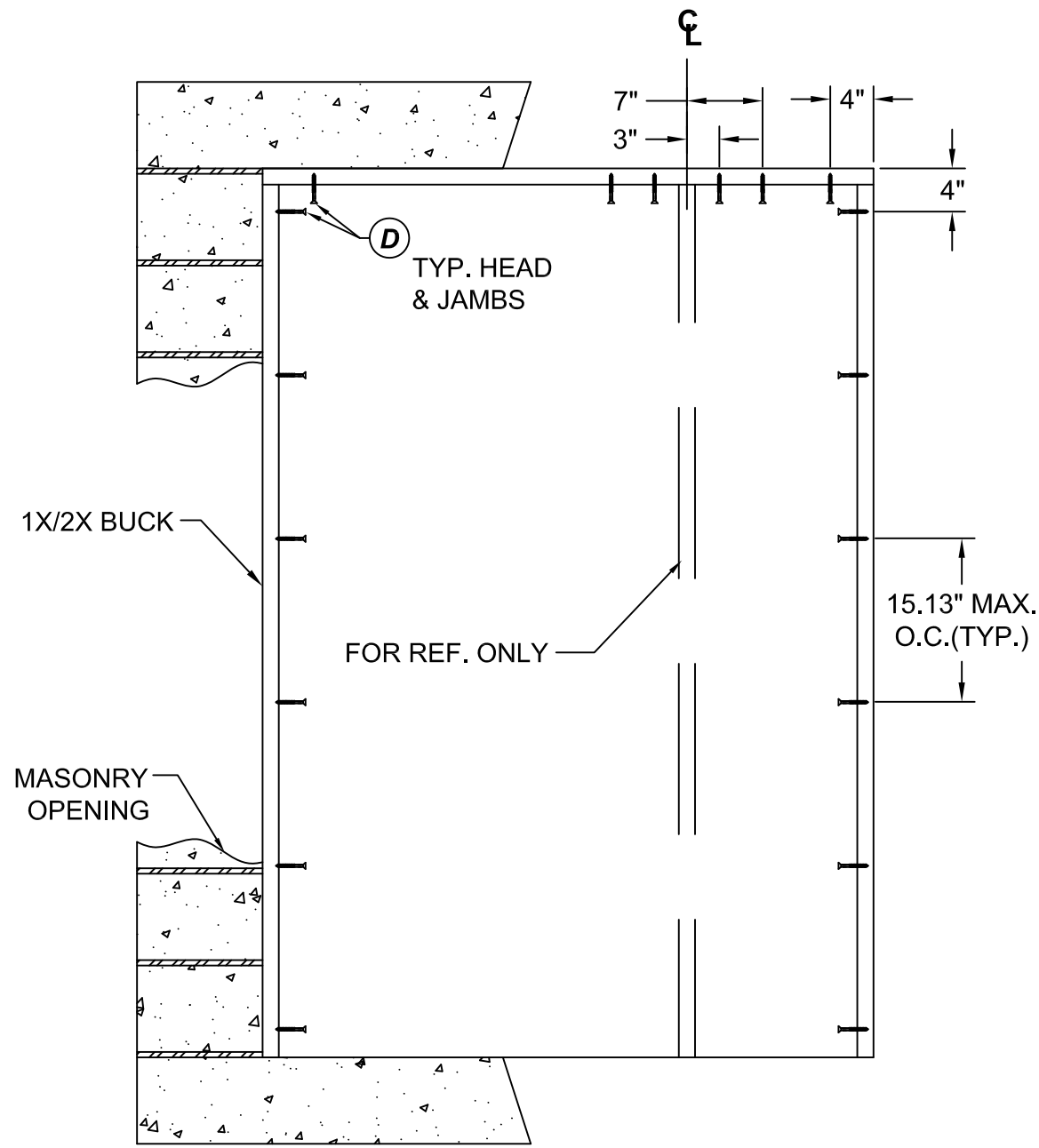
- Maintain a min. 5/8" edge distance, & 1" o.c. spacing of wood screws to prevent splitting of wood.



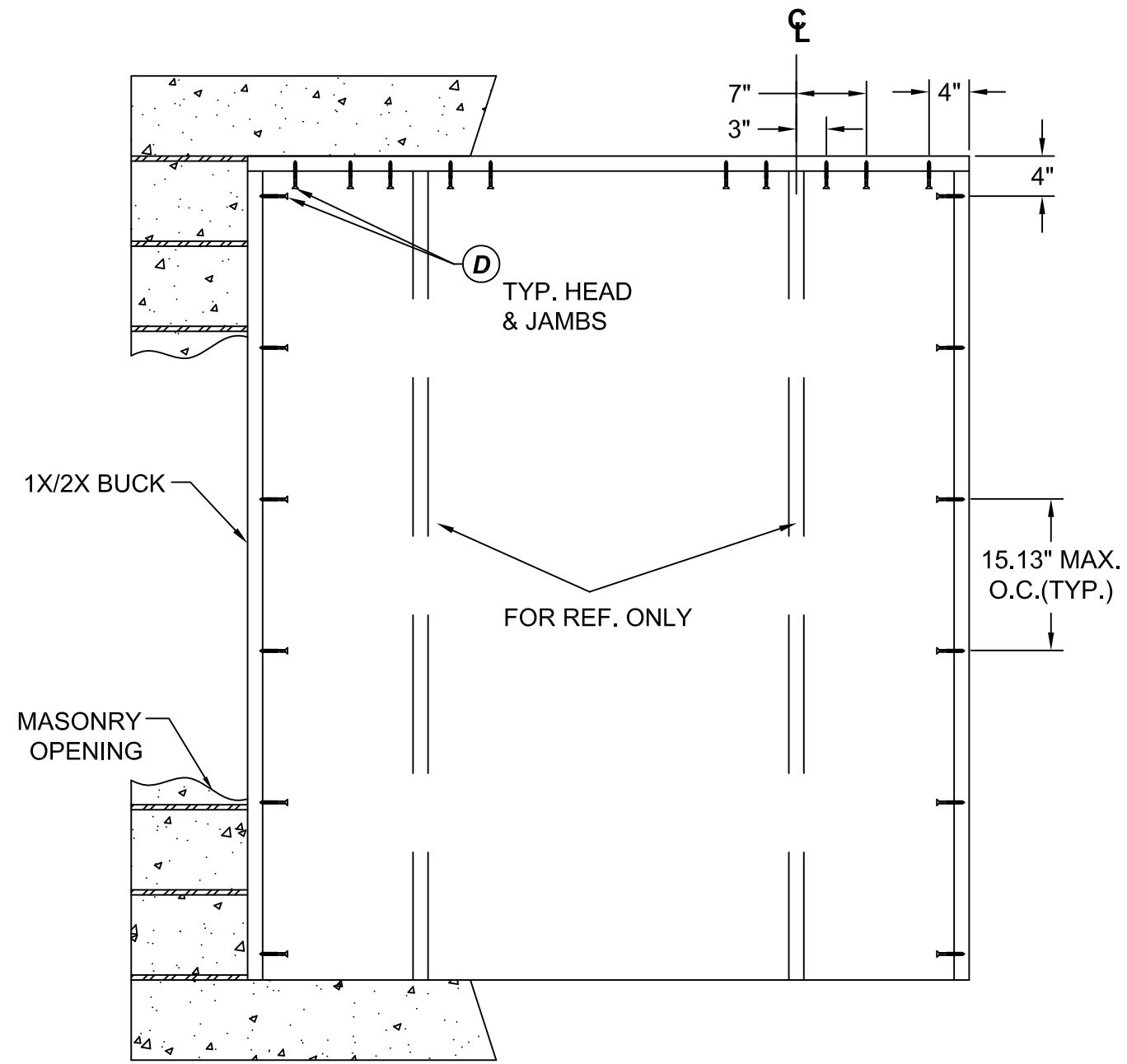
TITLE: OPAQUE FIBERGLASS DOOR
NON-IMP. INSWING/OUTSWING

BUCK ANCHORING

PREPARED BY:
BUILDING DROPS, INC.
398 E. DANIA BEACH BLVD. #338
DANIA BEACH, FL 33004
PH: (954) 399-8478 FX: (954) 744-4738



BUCK ANCHORING



BUCK ANCHORING

CONCRETE ANCHOR NOTES:

- Concrete anchor locations noted as "MAX ON CENTER" and at the corners must be adjusted to maintain min. edge distance to mortar joints. Additional concrete anchors may be required to ensure the "MAX ON CENTER" dimensions are not exceeded.
- Concrete anchor table:

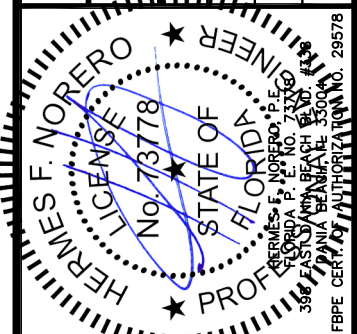
| ANCHOR TYPE | ANCHOR SIZE | MIN. EMBEDMENT | MIN. CLEARANCE TO MASONRY EDGE | MIN CLEARANCE TO ADJUSTMENT ANCHOR |
|---------------------|-------------|----------------|--------------------------------|------------------------------------|
| ITW BUILDEX TAPCON® | 1/4" | 1-1/4" | 2" | 4" |
| ELCO ULTRACON® | 1/4" | 1-1/4" | 1" | 4" |
| ITW BUILDEX TAPCON® | 3/16" | 1-1/4" | 3" | 1-1/2" |

WOOD SCREW INSTALLATION NOTES:

- Maintain a min. 5/8" edge distance, & 1" o.c. spacing of wood screws to prevent splitting of wood.

REVISIONS

| NO. | DESCRIPTION | BY | DATE |
|-----|-------------|----|------|
| | | | |
| | | | |
| | | | |



DATE: 07.14.16
DWN BY: LS
CHK BY: HFN
SCALE: NTS

DWG #: **FL-20867.4**

SHEET: **18 OF 30**

TITLE: OPAQUE FIBERGLASS DOOR
NON-IMP. INSWING/OUTSWING

FRAME ANCHORING

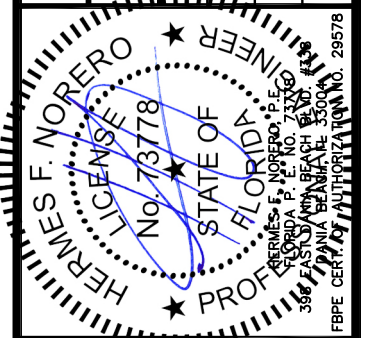
PREPARED BY:
BUILDING DROPS, INC.

398 E. DANIA BEACH BLVD. #338
DANIA BEACH, FL 33004

PH: (954) 399-8478
FX: (954) 744-4738

REVISIONS

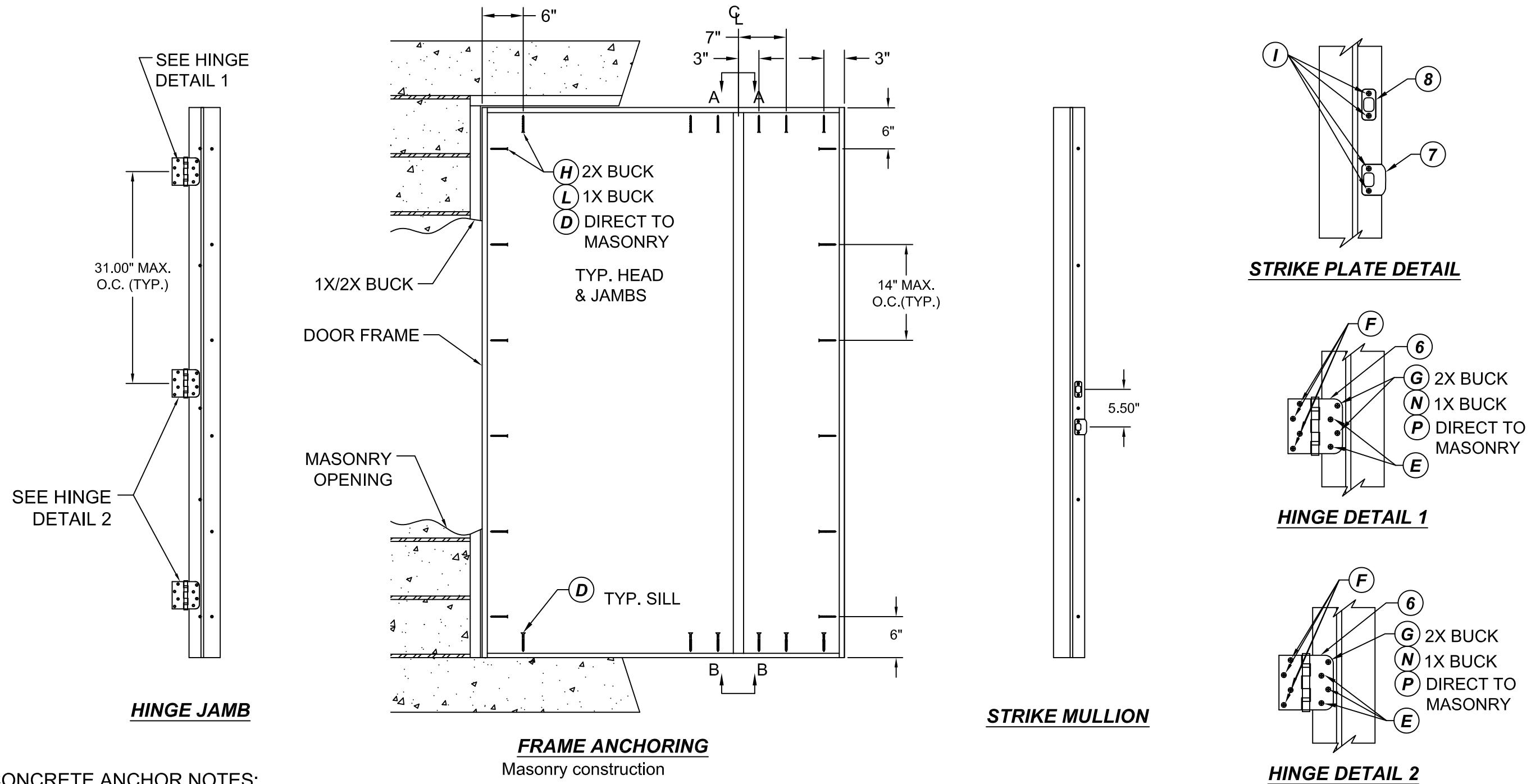
| NO. | DESCRIPTION | BY | DATE |
|-----|-------------|----|------|
| | | | |
| | | | |
| | | | |



| | | | |
|-------------------|---------------|----------------|---------------|
| DATE: 07.14.16 | DWN BY: LS | CHK BY: HFN | SCALE: NTS |
|-------------------|---------------|----------------|---------------|

DWG #: **FL-20867.4**

SHEET: **19 OF 30**



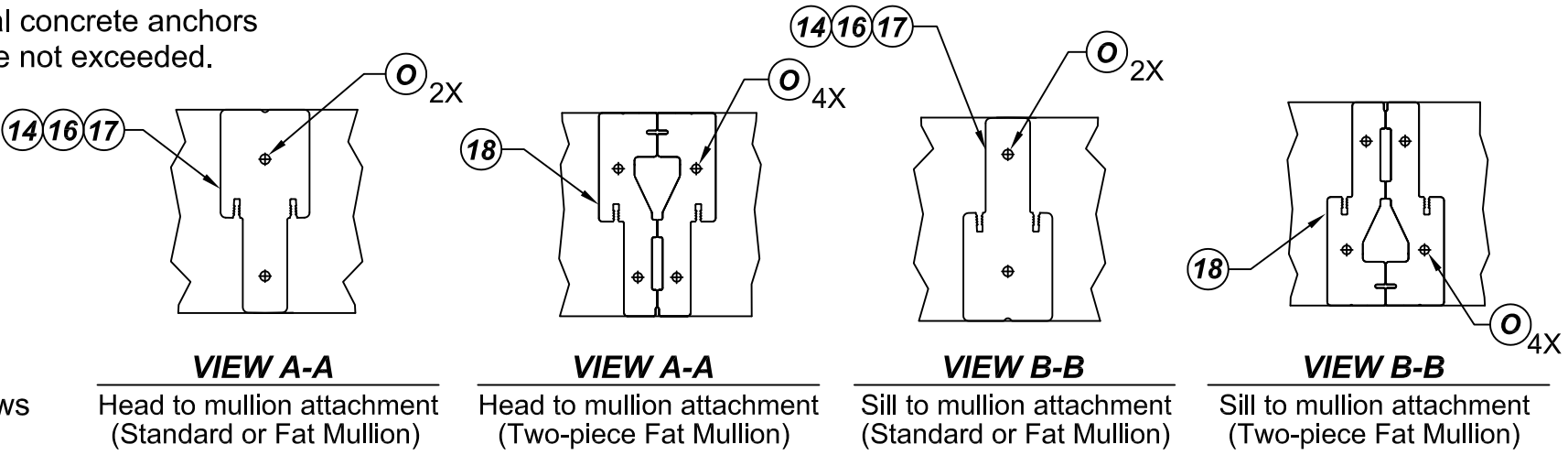
CONCRETE ANCHOR NOTES:

- Concrete anchor locations noted as "MAX ON CENTER" and at the corners must be adjusted to maintain min. edge distance to mortar joints. Additional concrete anchors may be required to ensure the "MAX ON CENTER" dimensions are not exceeded.

| ANCHOR TYPE | ANCHOR SIZE | MIN. EMBEDMENT | MIN. CLEARANCE TO MASONRY EDGE | MIN CLEARANCE TO ADJUSTMENT ANCHOR |
|---------------------|-------------|----------------|--------------------------------|------------------------------------|
| ITW BUILDEX TAPCON® | 1/4" | 1-1/4" | 2" | 4" |
| ELCO ULTRACON® | 1/4" | 1-1/4" | 1" | 4" |
| ITW BUILDEX TAPCON® | 3/16" | 1-1/4" | 3" | 1-1/2" |

WOOD SCREW INSTALLATION NOTES:

- Maintain a min. 5/8" edge distance, & 1" o.c. spacing of wood screws to prevent splitting of wood.



TITLE: OPAQUE FIBERGLASS DOOR
NON-IMP. INSWING/OUTSWING

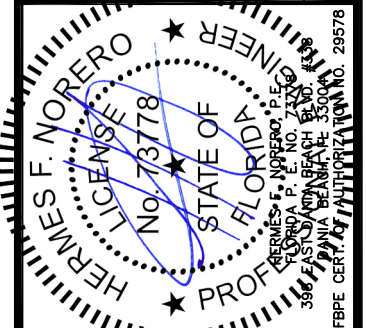
FRAME ANCHORING

PREPARED BY:
BUILDING DROPS, INC.
398 E. DANIA BEACH BLVD. #3338
DANIA BEACH, FL 33004

PH: (954) 399-8478
FX: (954) 744-4738

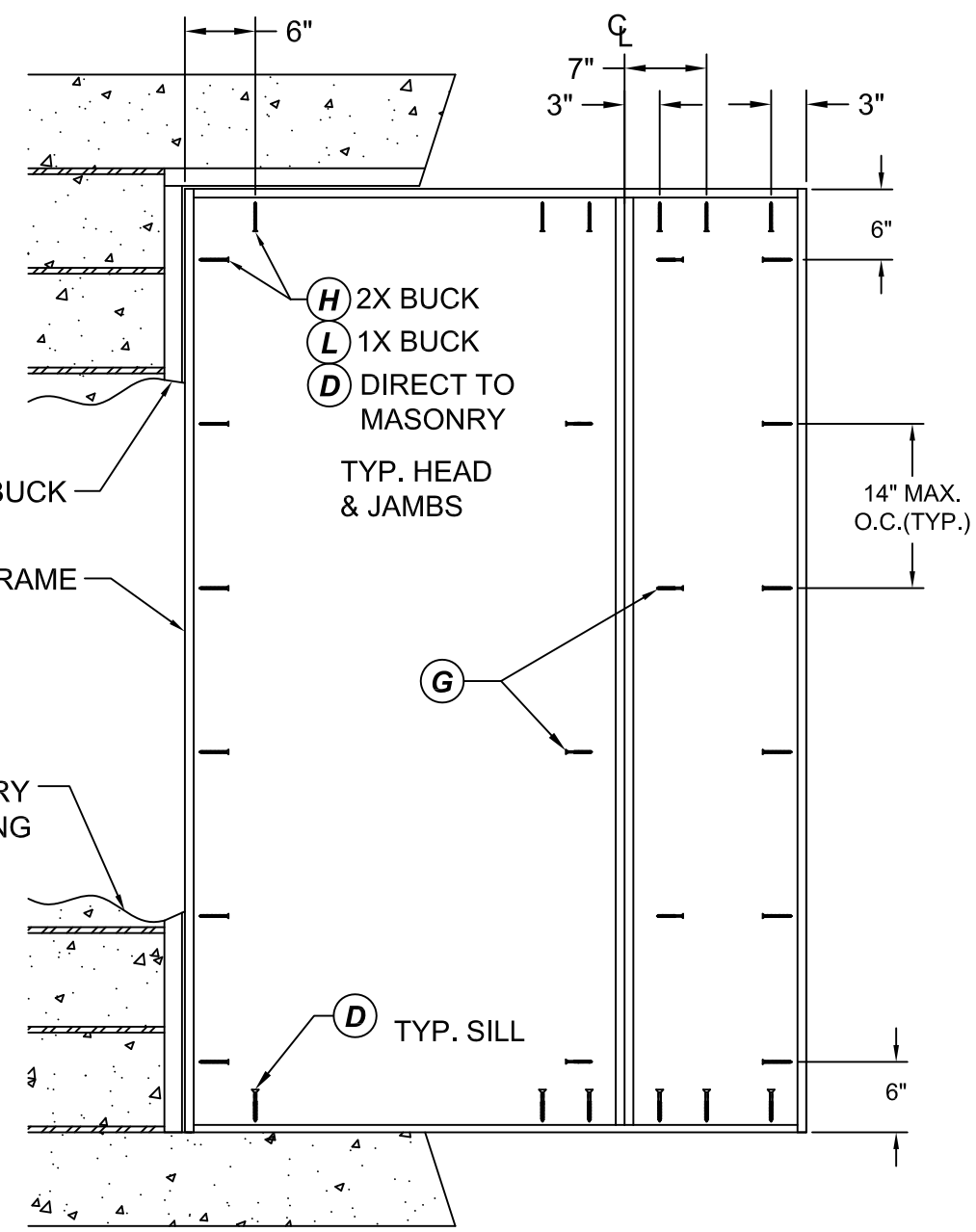
REVISIONS

| NO. | DESCRIPTION | BY | DATE |
|-----|-------------|----|------|
| | | | |
| | | | |
| | | | |

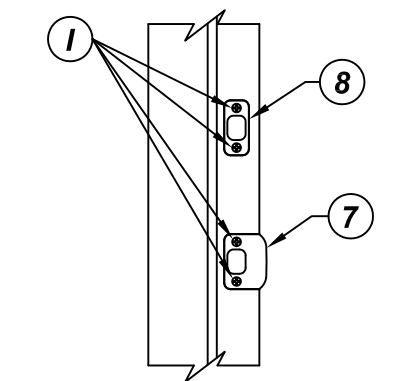


DATE: 07.14.16
DWN BY: L.S.
CHK BY: HFN
SCALE: NTS

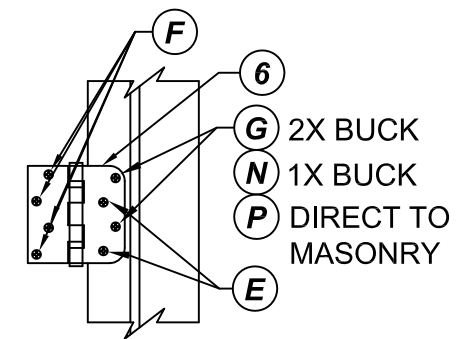
DWG #:
FL-20867.4
SHEET: **20 OF 30**



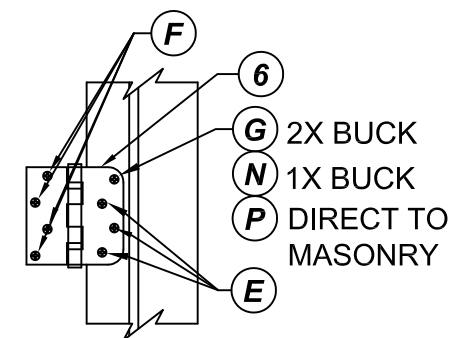
FRAME ANCHORING
Masonry construction



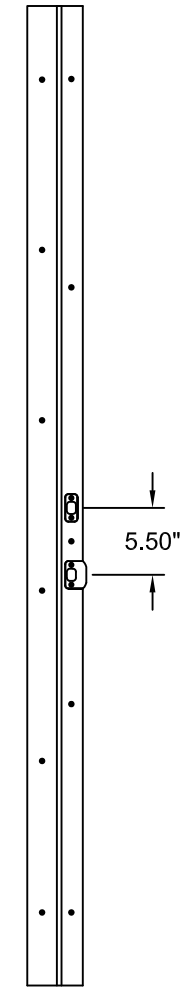
STRIKE PLATE DETAIL



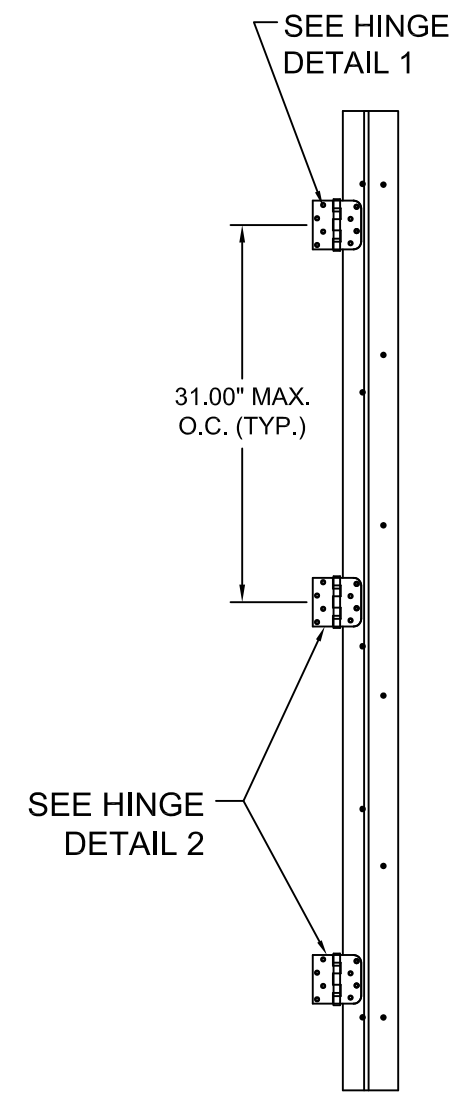
HINGE DETAIL 1



HINGE DETAIL 2



STRIKE JAMB



HINGE JAMB

CONCRETE ANCHOR NOTES:

- Concrete anchor locations noted as "MAX ON CENTER" and at the corners must be adjusted to maintain min. edge distance to mortar joints. Additional concrete anchors may be required to ensure the "MAX ON CENTER" dimensions are not exceeded.

| ANCHOR TYPE | ANCHOR SIZE | MIN. EMBEDMENT | MIN. CLEARANCE TO MASONRY EDGE | MIN CLEARANCE TO ADJUSTMENT ANCHOR |
|---------------------|-------------|----------------|--------------------------------|------------------------------------|
| ITW BUILDEX TAPCON® | 1/4" | 1-1/4" | 2" | 4" |
| ELCO ULTRACON® | 1/4" | 1-1/4" | 1" | 4" |
| ITW BUILDEX TAPCON® | 3/16" | 1-1/4" | 3" | 1-1/2" |

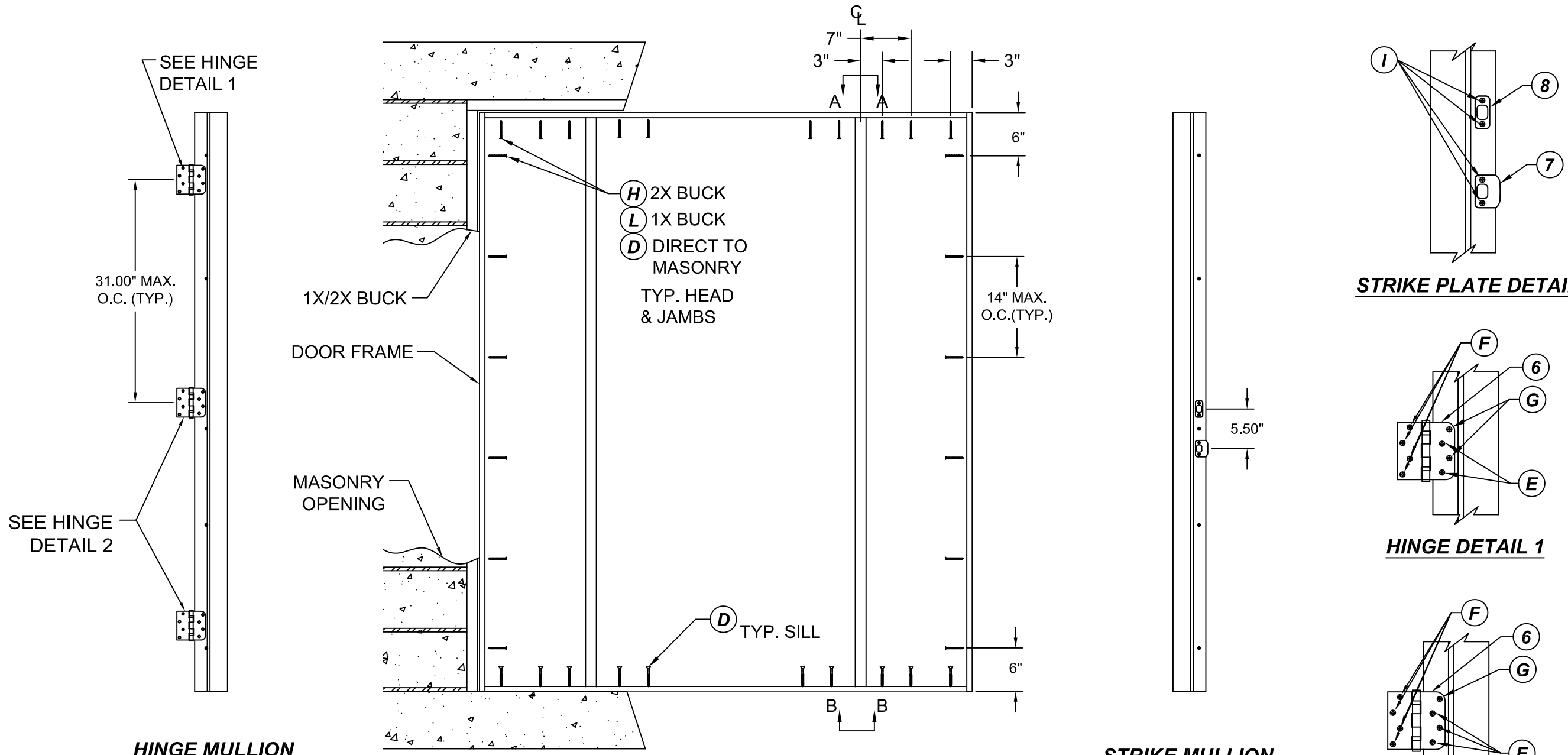
WOOD SCREW INSTALLATION NOTES:

- Maintain a min. 5/8" edge distance, & 1" o.c. spacing of wood screws to prevent splitting of wood.

TITLE: OPAQUE FIBERGLASS DOOR
NON-IMP. INSWING/OUTSWING

FRAME ANCHORING

PREPARED BY:
BUILDING DROPS, INC.
398 E. DANIA BEACH BLVD. #338
DANIA BEACH, FL 33004
PH: (954) 399-8478 FX: (954) 744-4738



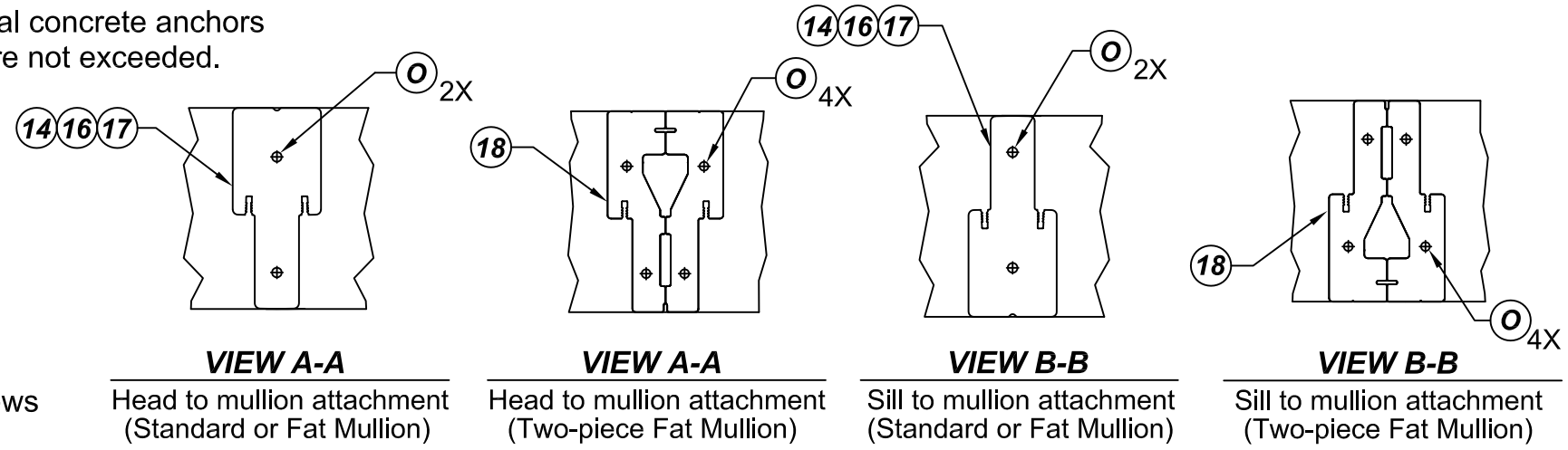
REVISIONS

| NO. | DESCRIPTION | BY | DATE |
|-----|-------------|----|------|
| | | | |
| | | | |
| | | | |

CONCRETE ANCHOR NOTES:

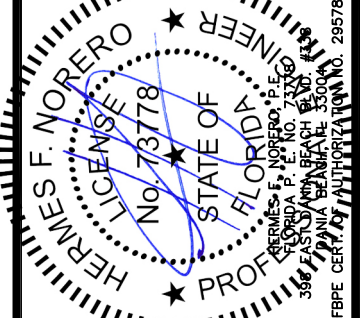
1. Concrete anchor locations noted as "MAX ON CENTER" and at the corners must be adjusted to maintain min. edge distance to mortar joints. Additional concrete anchors may be required to ensure the "MAX ON CENTER" dimensions are not exceeded.

| ANCHOR TYPE | ANCHOR SIZE | MIN. EMBEDMENT | MIN. CLEARANCE TO MASONRY EDGE | MIN CLEARANCE TO ADJUSTMENT ANCHOR |
|---------------------|-------------|----------------|--------------------------------|------------------------------------|
| ITW BUILDEX TAPCON® | 1/4" | 1-1/4" | 2" | 4" |
| ELCO ULTRACON® | 1/4" | 1-1/4" | 1" | 4" |
| ITW BUILDEX TAPCON® | 3/16" | 1-1/4" | 3" | 1-1/2" |



WOOD SCREW INSTALLATION NOTES:

1. Maintain a min. 5/8" edge distance, & 1" o.c. spacing of wood screws to prevent splitting of wood.



DATE: 07.14.16
DWN BY: LS
CHK BY: HFN
SCALE: NTS

DWG #: **FL-20867.4**

SHEET: **21 OF 30**

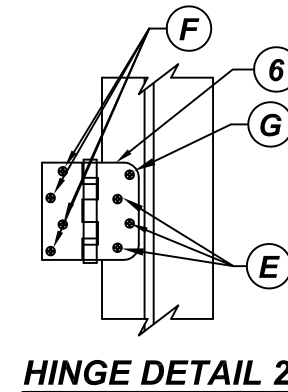
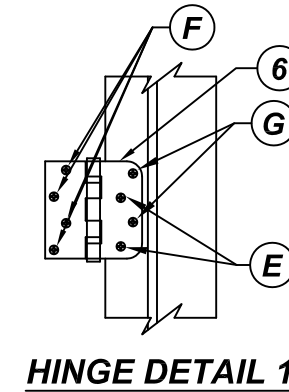
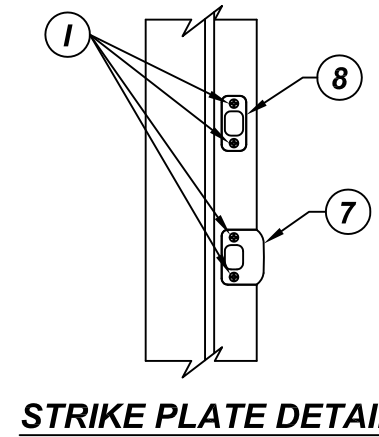
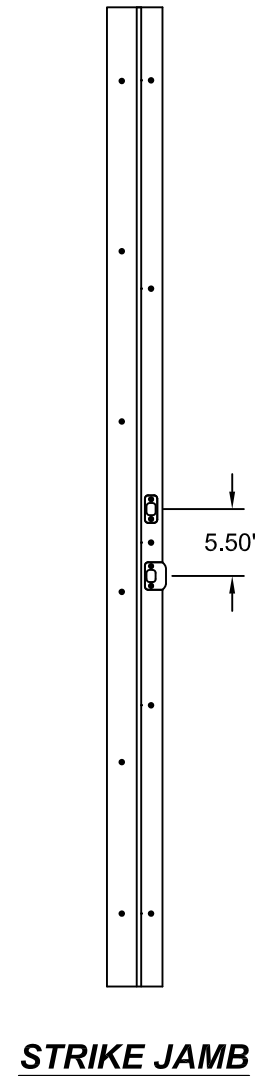
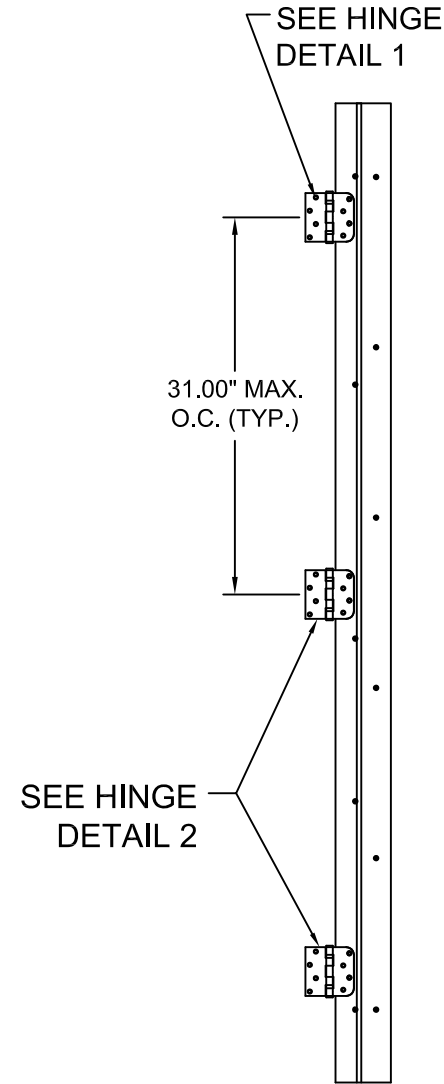
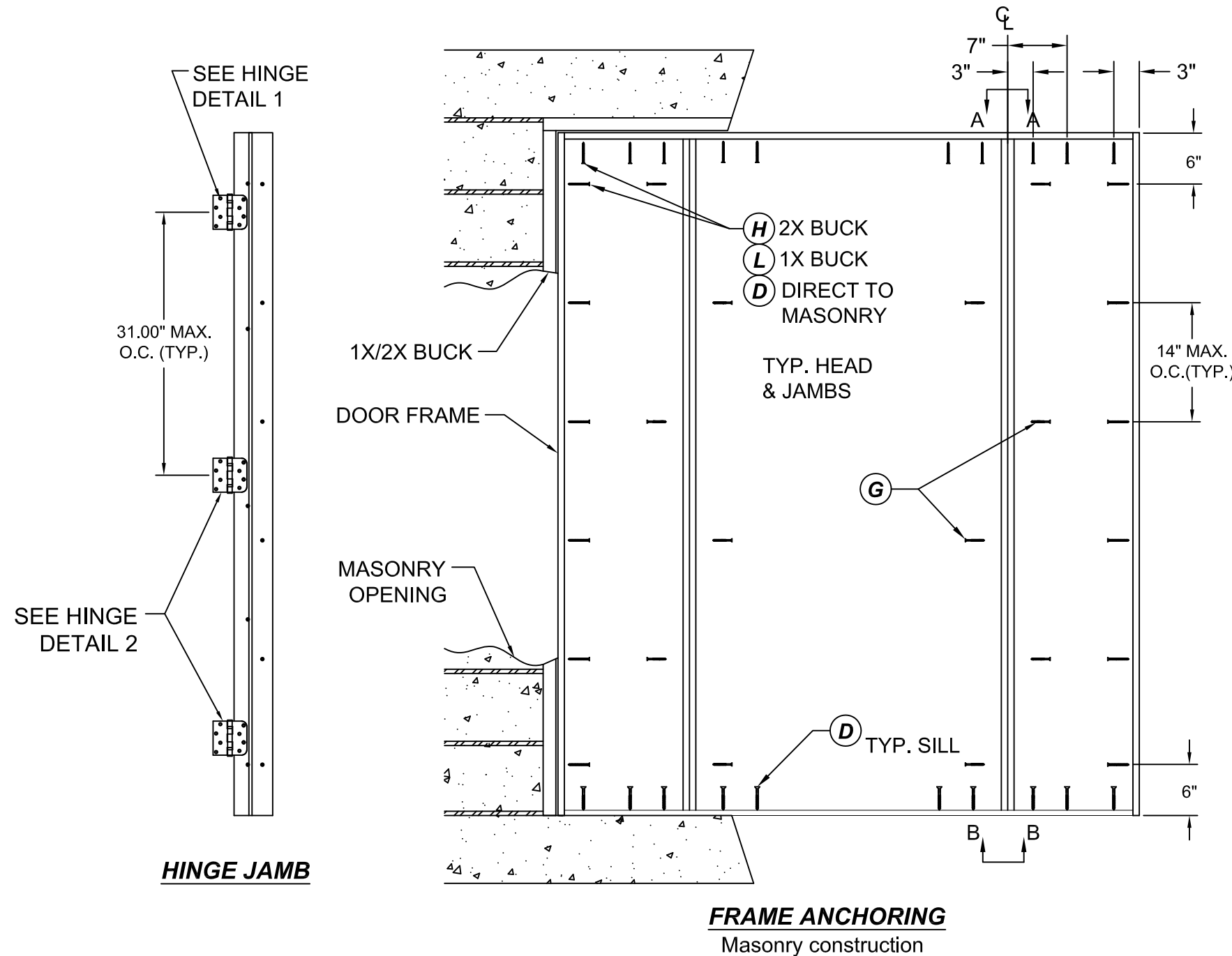
TITLE: OPAQUE FIBERGLASS DOOR
NON-IMP. INSWING/OUTSWING

FRAME ANCHORING

PREPARED BY:

BUILDING DROPS, INC.
398 E. DANIA BEACH BLVD. #338
DANIA BEACH, FL 33004

PH: (954) 399-8478
FX: (954) 744-4738



CONCRETE ANCHOR NOTES:

1. Concrete anchor locations noted as "MAX ON CENTER" and at the corners must be adjusted to maintain min. edge distance to mortar joints. Additional concrete anchors may be required to ensure the "MAX ON CENTER" dimensions are not exceeded.

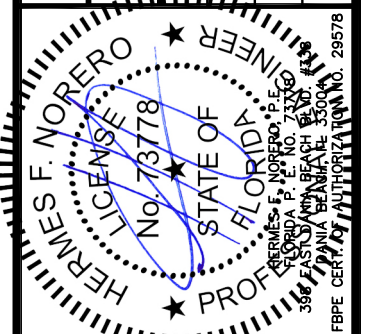
| ANCHOR TYPE | ANCHOR SIZE | MIN. EMBEDMENT | MIN. CLEARANCE TO MASONRY EDGE | MIN CLEARANCE TO ADJUSTMENT ANCHOR |
|---------------------|-------------|----------------|--------------------------------|------------------------------------|
| ITW BUILDEX TAPCON® | 1/4" | 1-1/4" | 2" | 4" |
| ELCO ULTRACON® | 1/4" | 1-1/4" | 1" | 4" |
| ITW BUILDEX TAPCON® | 3/16" | 1-1/4" | 3" | 1-1/2" |

WOOD SCREW INSTALLATION NOTES:

1. Maintain a min. 5/8" edge distance, & 1" o.c. spacing of wood screws to prevent splitting of wood.

REVISIONS

| NO. | DESCRIPTION | BY | DATE |
|-----|-------------|----|------|
| | | | |



| | | | |
|-------------------|---------------|----------------|---------------|
| DATE: 07.14.16 | DWN BY: LS | CHK BY: HFN | SCALE: NTS |
|-------------------|---------------|----------------|---------------|

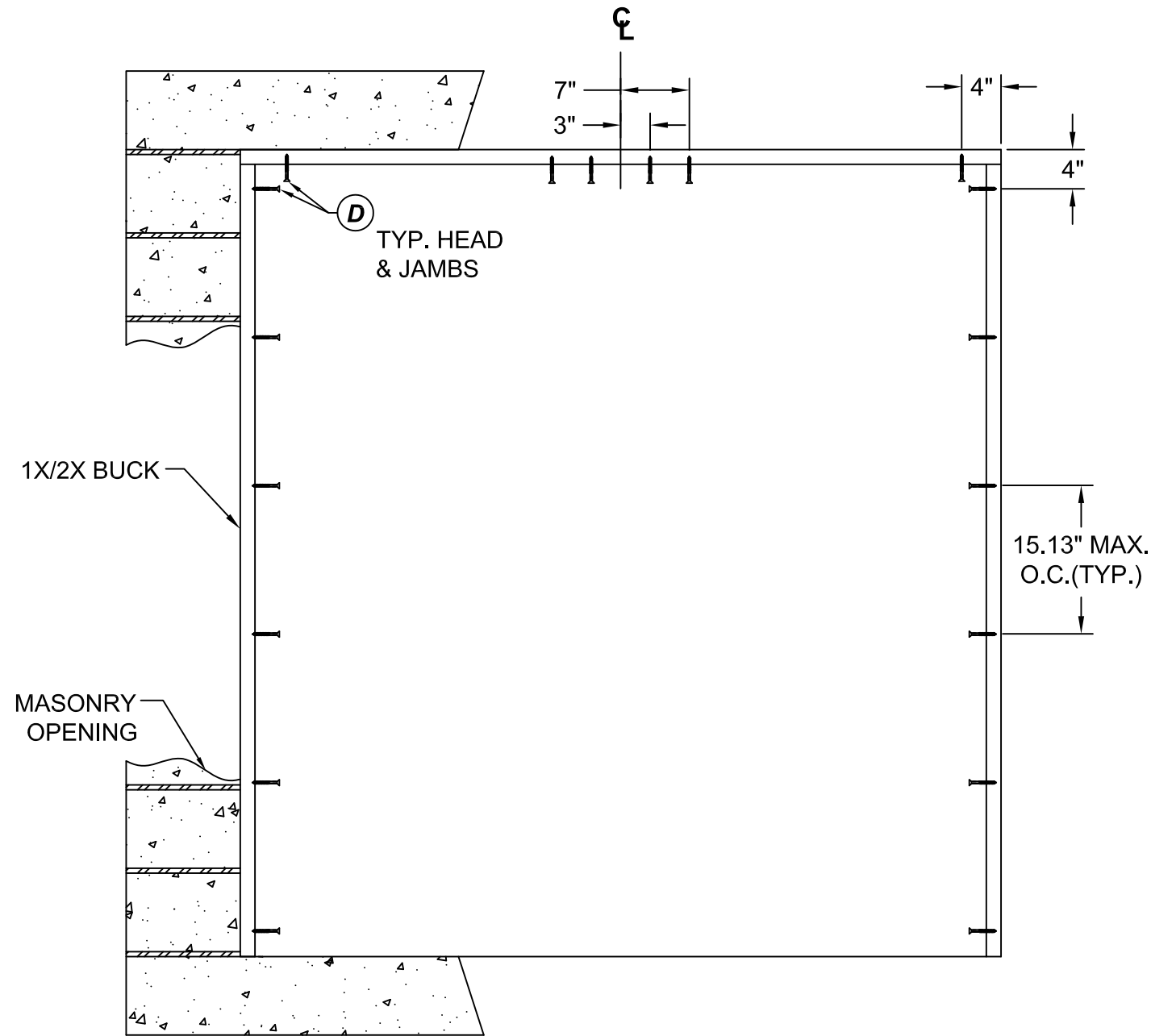
DWG #:
FL-20867.4

SHEET: **22 OF 30**

TITLE: OPAQUE FIBERGLASS DOOR
NON-IMP. INSWING/OUTSWING

BUCK ANCHORING

PREPARED BY:
BUILDING DROPS, INC.
398 E. DANIA BEACH BLVD. #338
DANIA BEACH, FL 33004
PH: (954) 399-8478 FX: (954) 744-4738



BUCK ANCHORING

CONCRETE ANCHOR NOTES:

- Concrete anchor locations noted as "MAX ON CENTER" and at the corners must be adjusted to maintain min. edge distance to mortar joints. Additional concrete anchors may be required to ensure the "MAX ON CENTER" dimensions are not exceeded.
- Concrete anchor table:

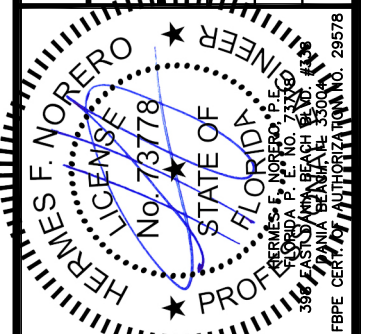
| ANCHOR TYPE | ANCHOR SIZE | MIN. EMBEDMENT | MIN. CLEARANCE TO MASONRY EDGE | MIN CLEARANCE TO ADJUSTMENT ANCHOR |
|----------------------|-------------|----------------|--------------------------------|------------------------------------|
| ITW BUILDDEX TAPCON® | 1/4" | 1-1/4" | 2" | 4" |
| ELCO ULTRACON® | 1/4" | 1-1/4" | 1" | 4" |
| ITW BUILDDEX TAPCON® | 3/16" | 1-1/4" | 3" | 1-1/2" |

WOOD SCREW INSTALLATION NOTES:

- Maintain a min. 5/8" edge distance, & 1" o.c. spacing of wood screws to prevent splitting of wood.

REVISIONS

| NO. | DESCRIPTION | BY | DATE |
|-----|-------------|----|------|
| | | | |
| | | | |
| | | | |



DATE: 07.14.16
DWN BY: LS
CHK BY: HFN
SCALE: NTS

DWG #: **FL-20867.4**

SHEET: **23 OF 30**

TITLE: OPAQUE FIBERGLASS DOOR
NON-IMP. INSWING/OUTSWING

FRAME ANCHORING

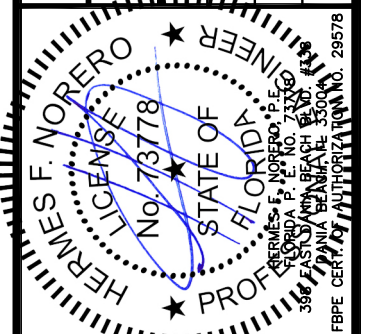
PREPARED BY:

BUILDING DROPS, INC.
398 E. DANIA BEACH BLVD. #338
DANIA BEACH, FL 33004

PH: (954) 399-8478
FX: (954) 744-4738

REVISIONS

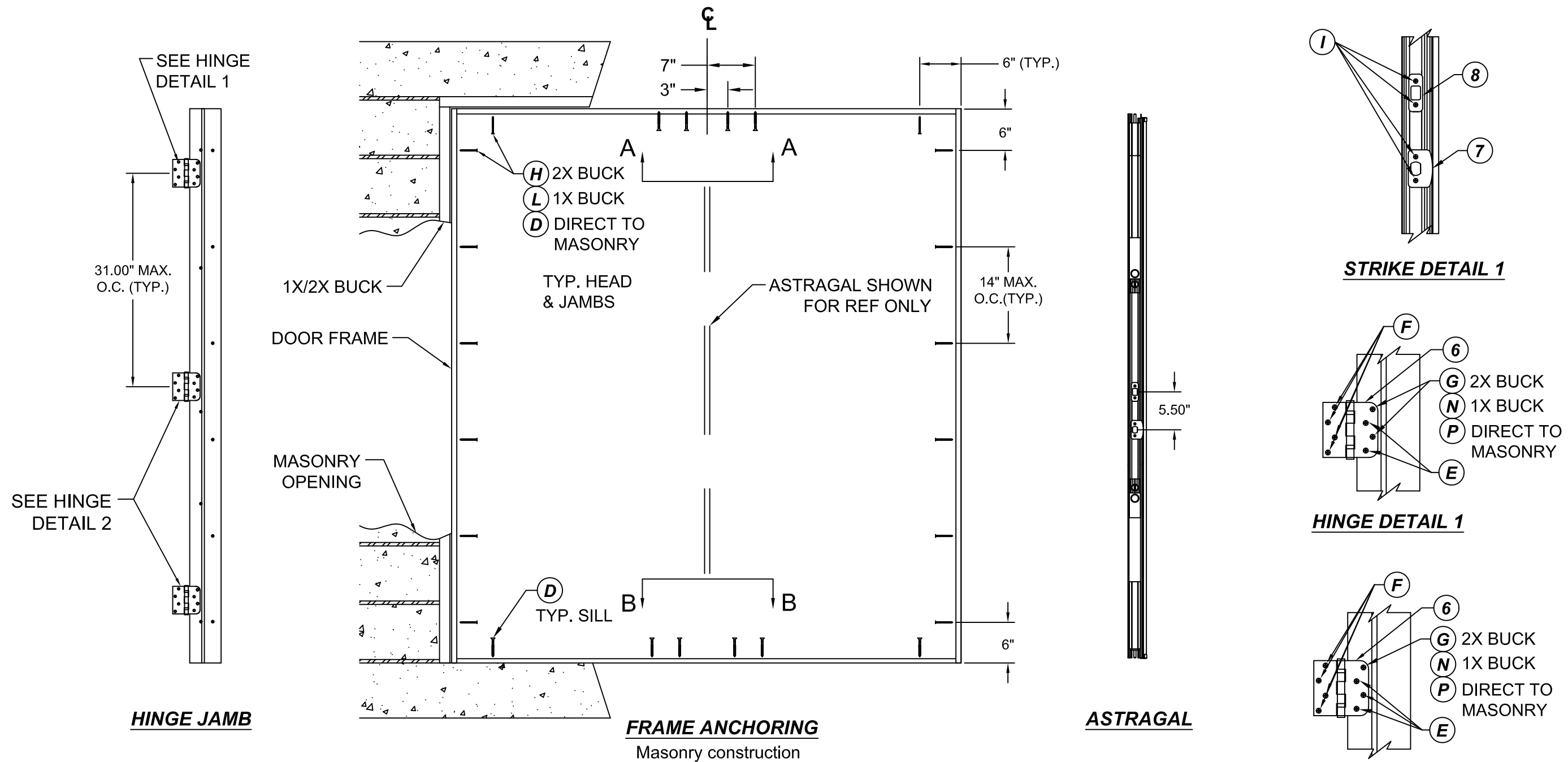
| NO. | DESCRIPTION | BY | DATE |
|-----|-------------|----|------|
| | | | |
| | | | |
| | | | |



DATE: 07.14.16
DWN BY: LS
CHK BY: HFN
SCALE: NTS

DWG #: **FL-20867.4**

SHEET: **24 OF 30**



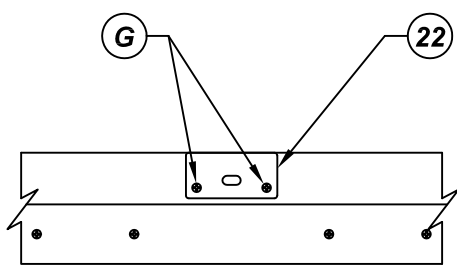
CONCRETE ANCHOR NOTES:

- Concrete anchor locations noted as "MAX ON CENTER" and at the corners must be adjusted to maintain min. edge distance to mortar joints. Additional concrete anchors may be required to ensure the "MAX ON CENTER" dimensions are not exceeded.

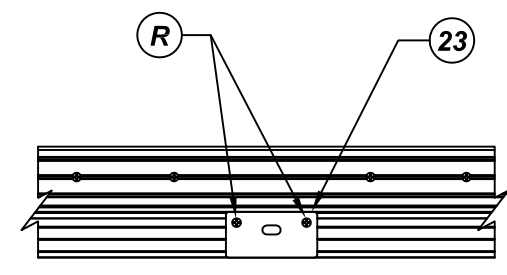
| ANCHOR TYPE | ANCHOR SIZE | MIN. EMBEDMENT | MIN. CLEARANCE TO MASONRY EDGE | MIN CLEARANCE TO ADJUSTMENT ANCHOR |
|----------------------|-------------|----------------|--------------------------------|------------------------------------|
| ITW BUILDDEX TAPCON® | 1/4" | 1-1/4" | 2" | 4" |
| ELCO ULTRACON® | 1/4" | 1-1/4" | 1" | 4" |
| ITW BUILDDEX TAPCON® | 3/16" | 1-1/4" | 3" | 1-1/2" |

WOOD SCREW INSTALLATION NOTES:

- Maintain a min. 5/8" edge distance, & 1" o.c. spacing of wood screws to prevent splitting of wood.



VIEW A-A
Astragal Strike @ Head

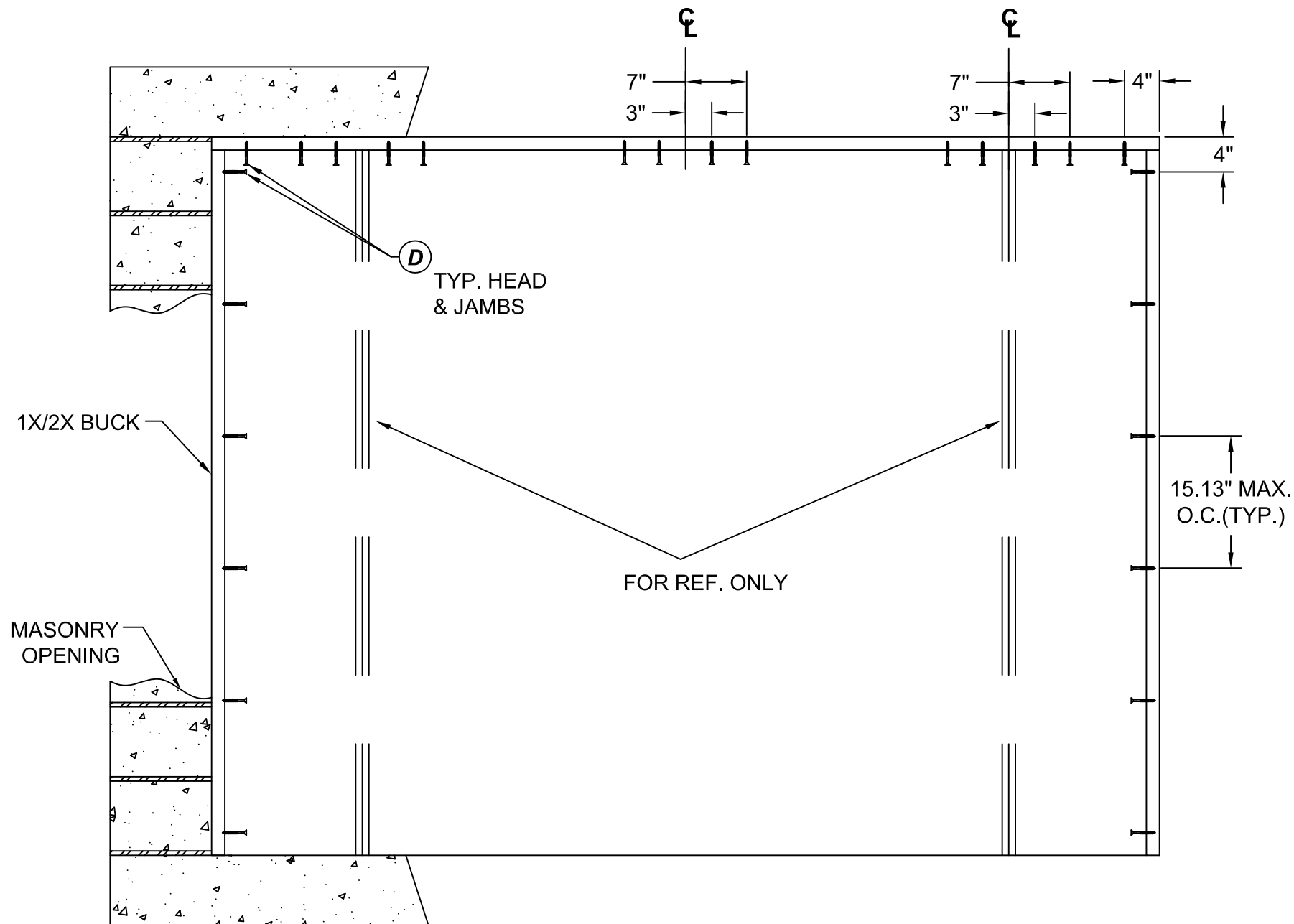


VIEW B-B
Astragal Strike @ Sill

TITLE: OPAQUE FIBERGLASS DOOR
NON-IMP. INSWING/OUTSWING

BUCK ANCHORING

PREPARED BY:
BUILDING DROPS, INC.
398 E. DANIA BEACH BLVD. #338
DANIA BEACH, FL 33004
PH: (954) 399-8478 FX: (954) 744-4738



BUCK ANCHORING

CONCRETE ANCHOR NOTES:

- Concrete anchor locations noted as "MAX ON CENTER" and at the corners must be adjusted to maintain min. edge distance to mortar joints. Additional concrete anchors may be required to ensure the "MAX ON CENTER" dimensions are not exceeded.
- Concrete anchor table:

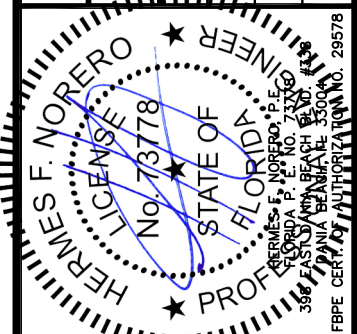
| ANCHOR TYPE | ANCHOR SIZE | MIN. EMBEDMENT | MIN. CLEARANCE TO MASONRY EDGE | MIN CLEARANCE TO ADJUSTMENT ANCHOR |
|---------------------|-------------|----------------|--------------------------------|------------------------------------|
| ITW BUILDEX TAPCON® | 1/4" | 1-1/4" | 2" | 4" |
| ELCO ULTRACON® | 1/4" | 1-1/4" | 1" | 4" |
| ITW BUILDEX TAPCON® | 3/16" | 1-1/4" | 3" | 1-1/2" |

WOOD SCREW INSTALLATION NOTES:

- Maintain a min. 5/8" edge distance, & 1" o.c. spacing of wood screws to prevent splitting of wood.

REVISIONS

| NO. | DESCRIPTION | BY | DATE |
|-----|-------------|----|------|
| | | | |
| | | | |
| | | | |



DATE: 07.14.16
DWN BY: LS
CHK BY: HFN
SCALE: NTS

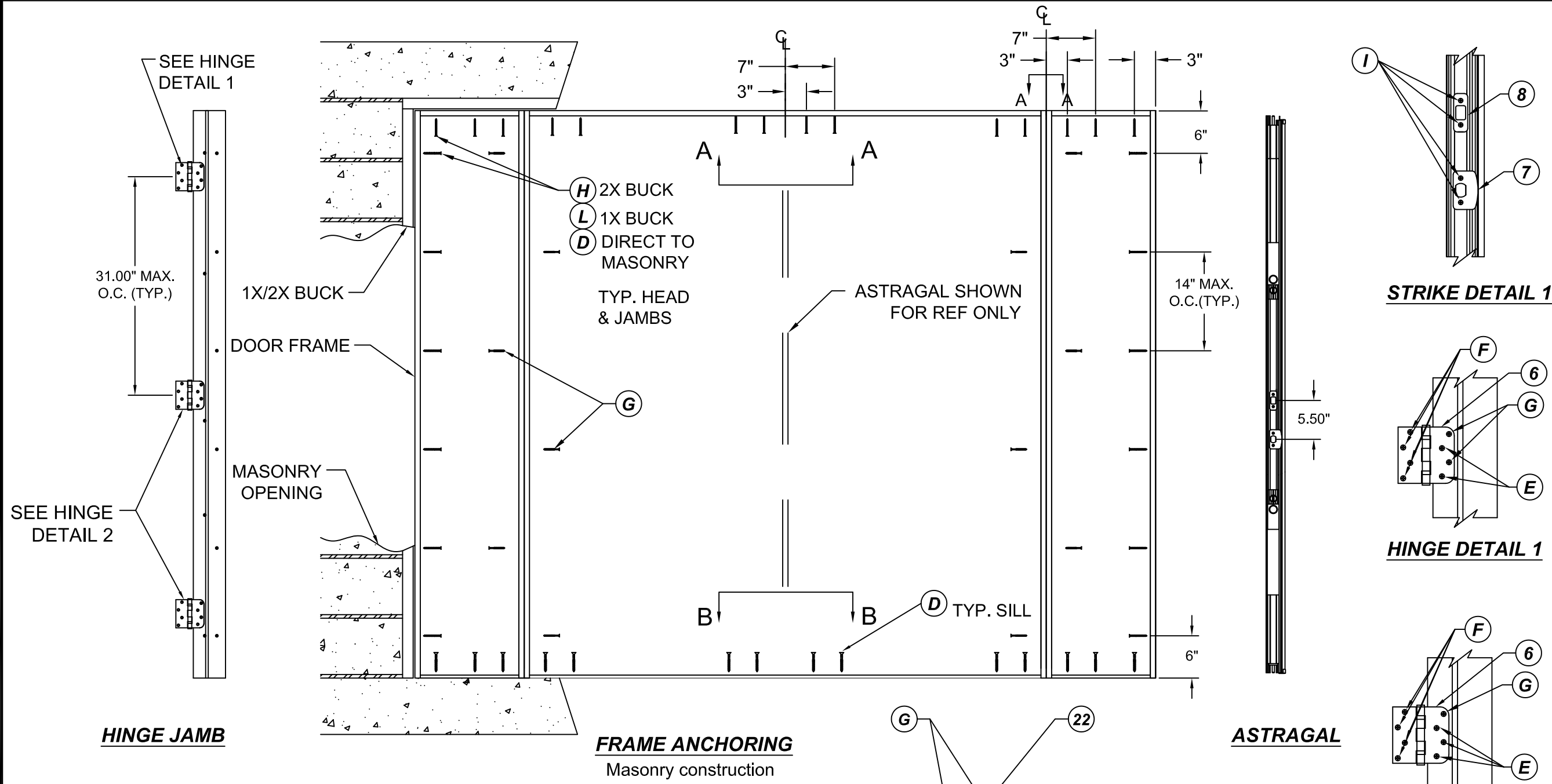
DWG #:
FL-20867.4

SHEET: **25 OF 30**

TITLE: OPAQUE FIBERGLASS DOOR
NON-IMP. INSWING/OUTSWING

FRAME ANCHORING

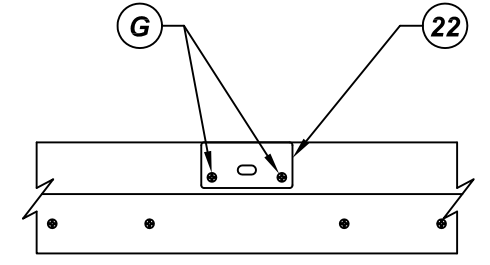
PREPARED BY:
BUILDING DROPS, INC.
398 E. DANIA BEACH BLVD. #338
DANIA BEACH, FL 33004
PH: (954) 399-8478 FX: (954) 744-4738



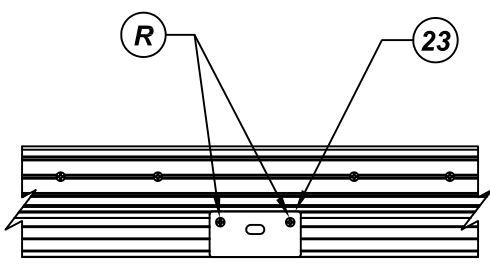
STRIKE DETAIL 1

HINGE DETAIL 1

HINGE DETAIL 2



VIEW A-A
Astragal Strike @ Head



VIEW B-B
Astragal Strike @ Sill

CONCRETE ANCHOR NOTES:

- Concrete anchor locations noted as "MAX ON CENTER" and at the corners must be adjusted to maintain min. edge distance to mortar joints. Additional concrete anchors may be required to ensure the "MAX ON CENTER" dimensions are not exceeded.

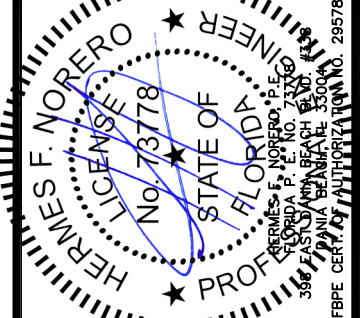
| ANCHOR TYPE | ANCHOR SIZE | MIN. EMBEDMENT | MIN. CLEARANCE TO MASONRY EDGE | MIN CLEARANCE TO ADJUSTMENT ANCHOR |
|---------------------|-------------|----------------|--------------------------------|------------------------------------|
| ITW BUILDEX TAPCON® | 1/4" | 1-1/4" | 2" | 4" |
| ELCO ULTRACON® | 1/4" | 1-1/4" | 1" | 4" |
| ITW BUILDEX TAPCON® | 3/16" | 1-1/4" | 3" | 1-1/2" |

WOOD SCREW INSTALLATION NOTES:

- Maintain a min. 5/8" edge distance, & 1" o.c. spacing of wood screws to prevent splitting of wood.

REVISIONS

| NO. | DESCRIPTION | BY | DATE |
|-----|-------------|----|------|
| | | | |
| | | | |
| | | | |



| | | | |
|----------|---------|---------|--------|
| DATE: | DWN BY: | CHK BY: | SCALE: |
| 07.14.16 | LS | HFN | NTS |

DWG #: **FL-20867.4**
SHEET: **26 OF 30**

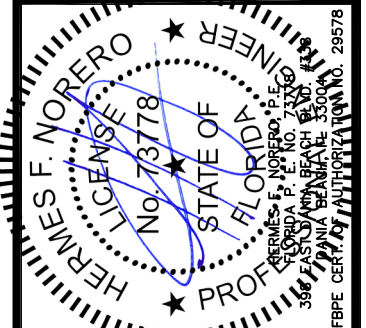
TITLE: OPAQUE FIBERGLASS DOOR
NON-IMP. INSWING/OUTSWING

COMPONENTS

PREPARED BY:
BUILDING DROPS, INC.
398 E. DANIA BEACH BLVD. #338
DANIA BEACH, FL 33004
PH: (954) 399-8478 FX: (954) 744-4738

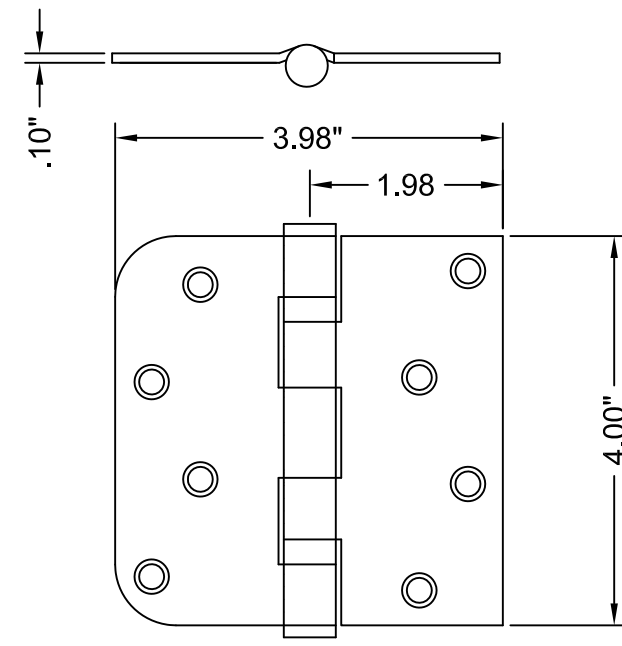
REVISIONS

| NO. | DESCRIPTION | BY | DATE |
|-----|-------------|----|------|
| | | | |
| | | | |
| | | | |
| | | | |

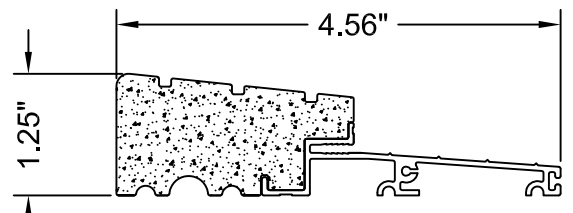


| | | | |
|----------|---------|---------|--------|
| DATE: | DWN BY: | CHK BY: | SCALE: |
| 07.14.16 | LS | HFN | NTS |

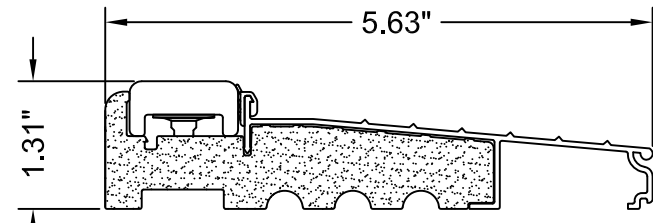
DWG #: **FL-20867.4**
SHEET: **27 OF 30**



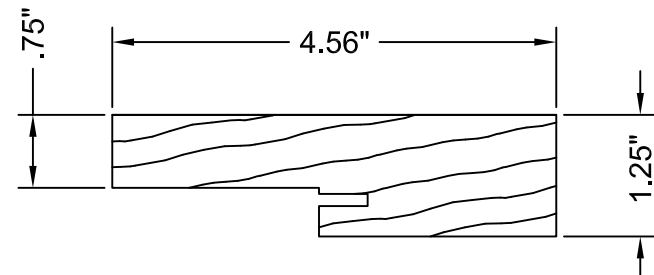
6 HINGE
MATERIAL: STEEL



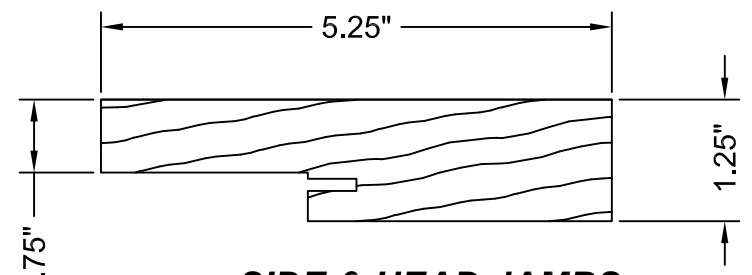
10 OUTSWING SILL
ALUMINUM WITH PVC SUBSTRATE



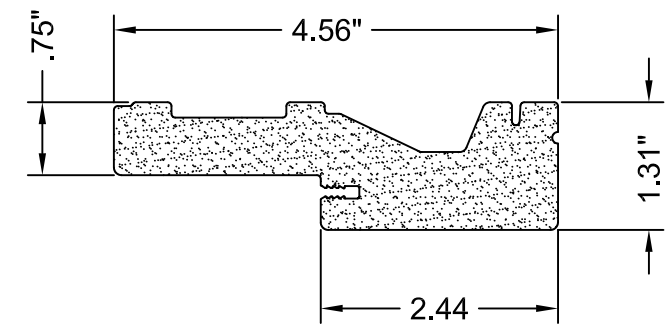
24 INSWING THRESHOLD
ALUMINUM WITH PVC SUBSTRATE



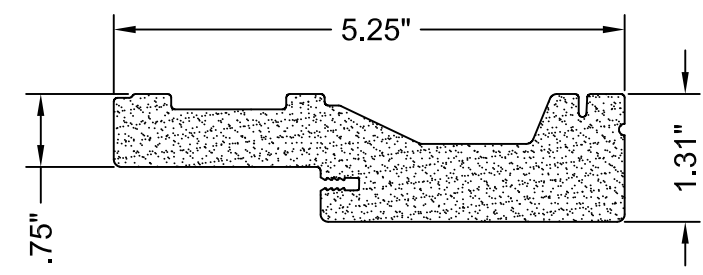
1 SIDE & HEAD JAMBS
MATERIAL: WOOD



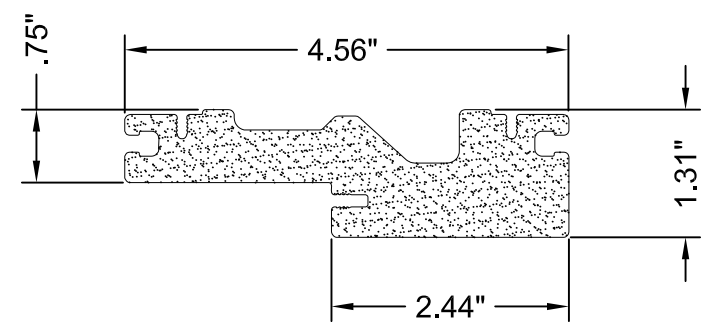
1A SIDE & HEAD JAMBS
(5-1/4" or larger)
MATERIAL: WOOD



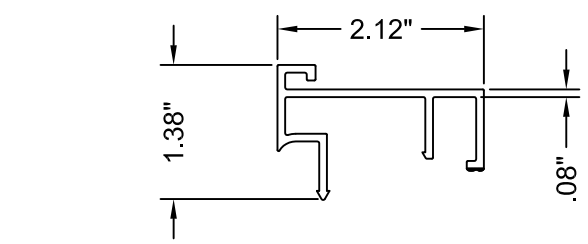
2 SIDE & HEAD JAMBS
MATERIAL: PVC



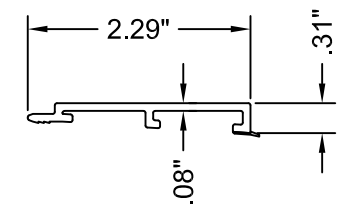
2A SIDE & HEAD JAMBS
(5-1/4" or larger)
MATERIAL: PVC



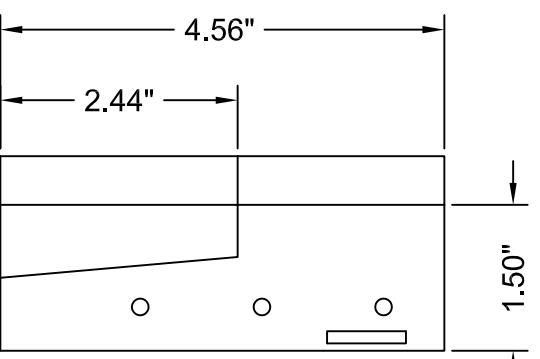
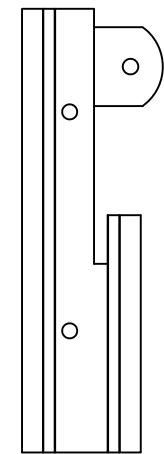
3 SIDE & HEAD JAMBS
MATERIAL: PVC



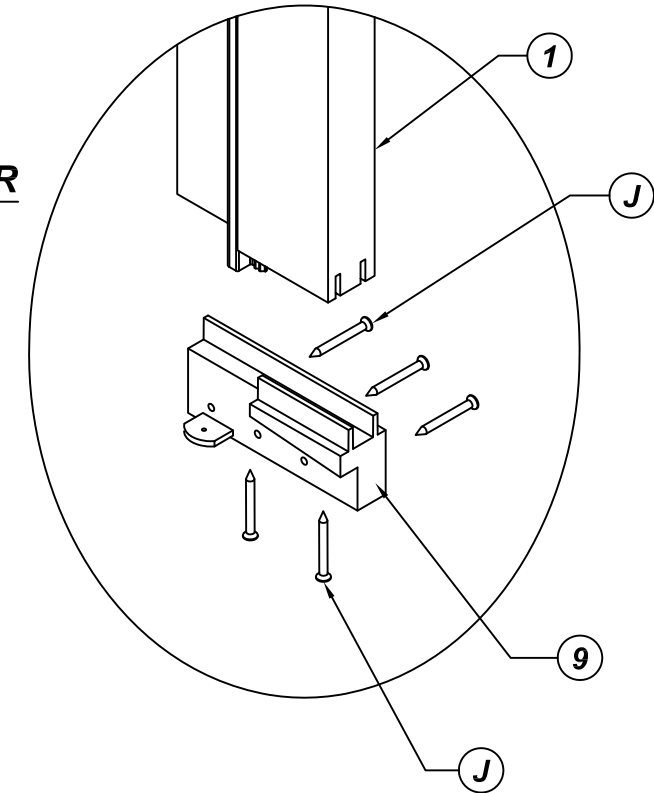
26 OUTSWING SIDELITE SPACER
MATERIAL: PVC



13 OUTSWING SIDELITE SPACER
MATERIAL: PVC



9 SILL KEY DETAIL
OPTIONAL

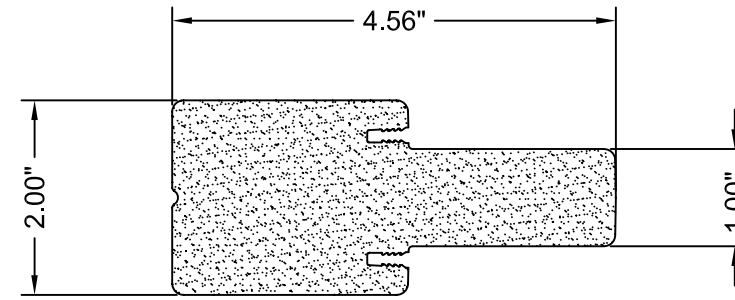


TITLE: OPAQUE FIBERGLASS DOOR
NON-IMP. INSWING/OUTSWING

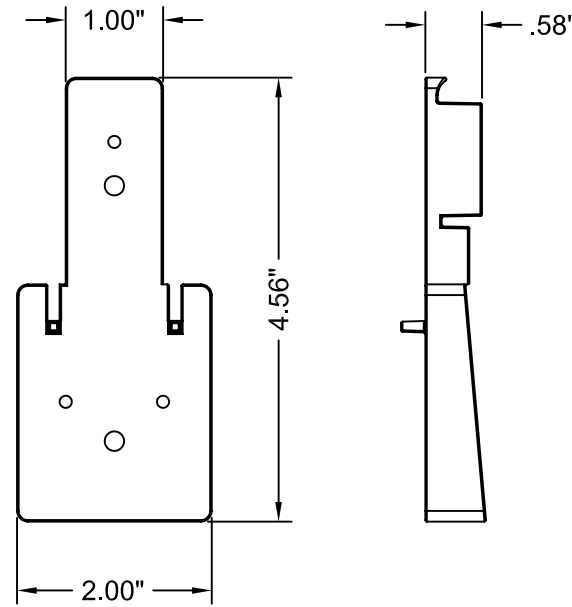
COMPONENTS

PREPARED BY:
BUILDING DROPS, INC.
398 E. DANIA BEACH BLVD. #338
DANIA BEACH, FL 33004

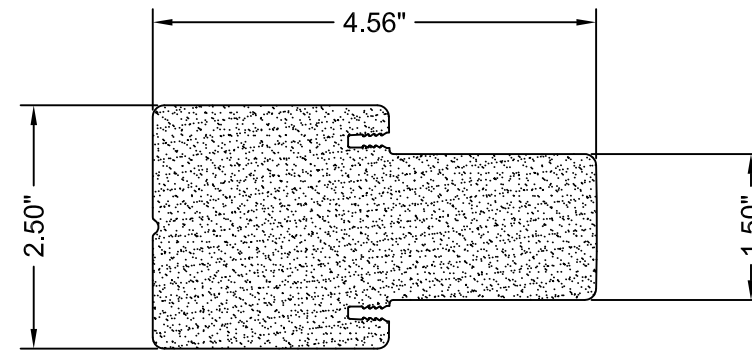
PH: (954) 399-8478 FX: (954) 744-4738



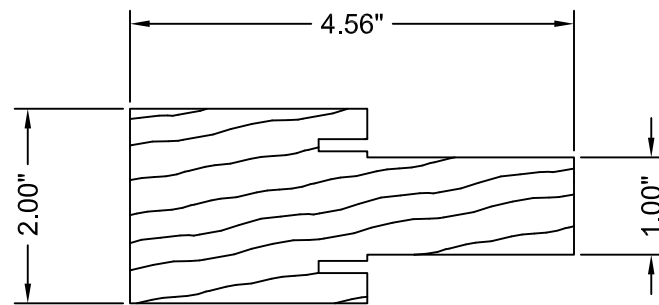
16 STANDARD MULLION
MATERIAL: PVC



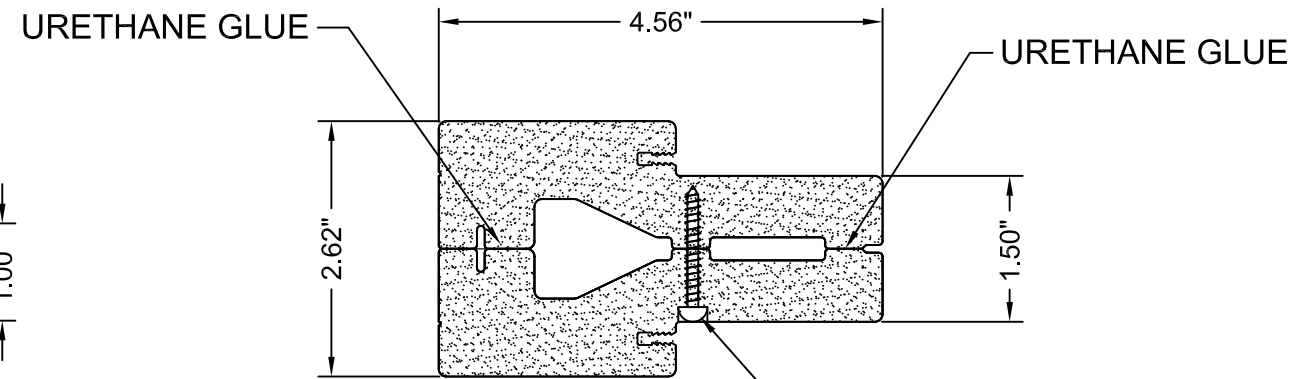
15 MULLION BASE KIT
MATERIAL: PC/ASA



17 FAT MULLION
MATERIAL: PVC

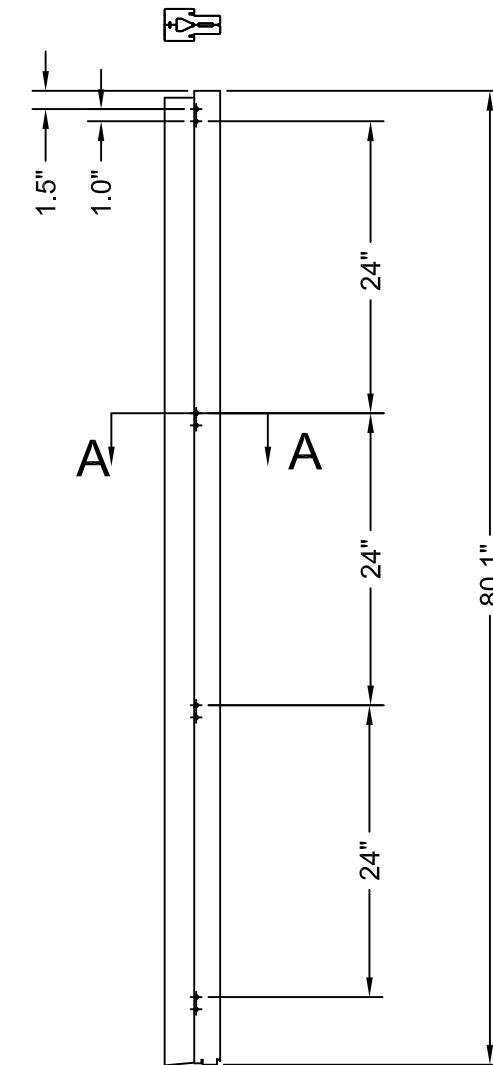


14 STANDARD MULLION
MATERIAL: WOOD



SECTION A-A

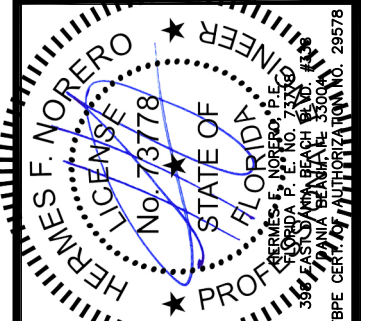
#8x1 1/4" PRH WS (4 NEAR SIDE)
#8x1 1/4" PRH WS (4 FAR SIDE)



18 TWO-PIECE "FAT" MULLION
MATERIAL: PVC

REVISIONS

| NO. | DESCRIPTION | BY | DATE |
|-----|-------------|----|------|
| | | | |
| | | | |
| | | | |
| | | | |



| | | | |
|-------------------|---------------|----------------|---------------|
| DATE: 07.14.16 | DWN BY: LS | CHK BY: HFN | SCALE: NTS |
|-------------------|---------------|----------------|---------------|

DWG #:
FL-20867.4

SHEET: **28 OF 30**

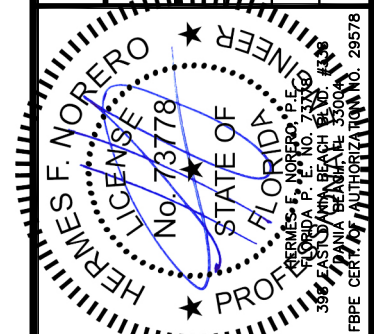
TITLE: OPAQUE FIBERGLASS DOOR
NON-IMP. INSWING/OUTSWING

COMPONENTS

PREPARED BY:
BUILDING DROPS, INC.
398 E. DANIA BEACH BLVD. #338
DANIA BEACH, FL 33004
PH: (954) 399-8478 FX: (954) 744-4738

REVISIONS

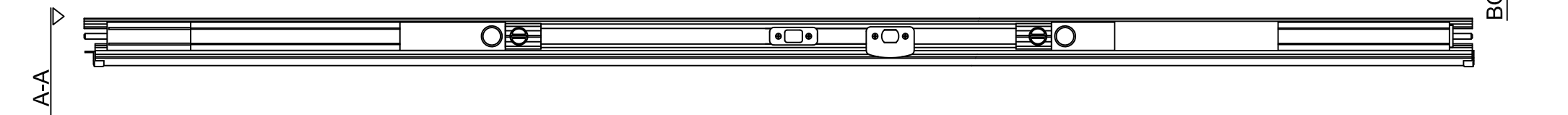
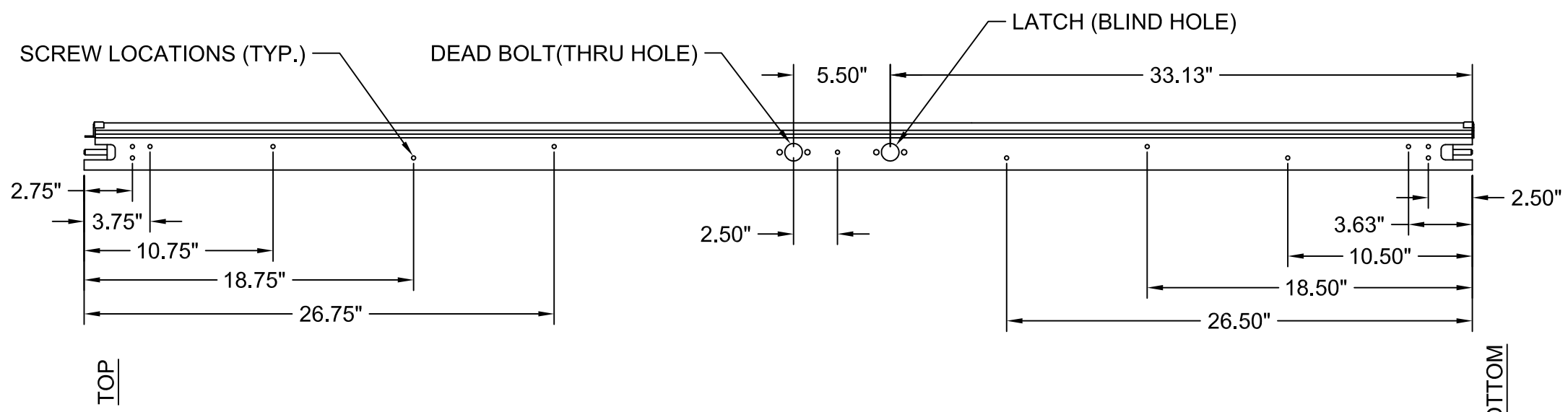
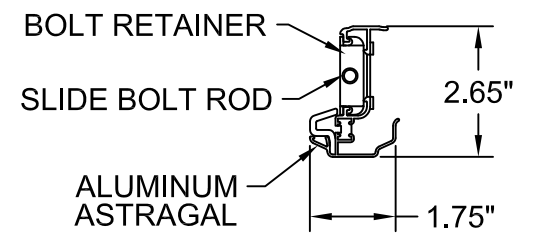
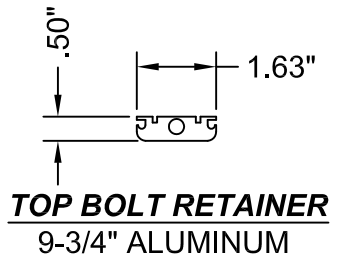
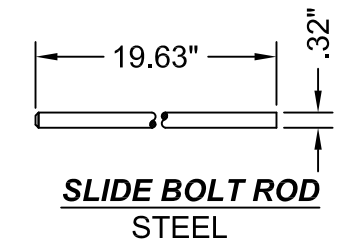
| NO. | DESCRIPTION | BY | DATE |
|-----|-------------|----|------|
| | | | |
| | | | |
| | | | |
| | | | |



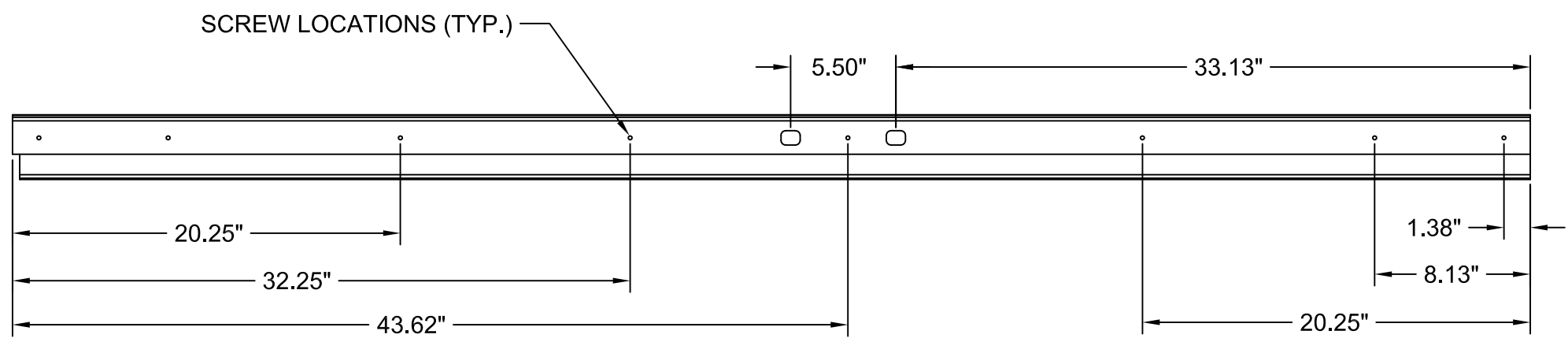
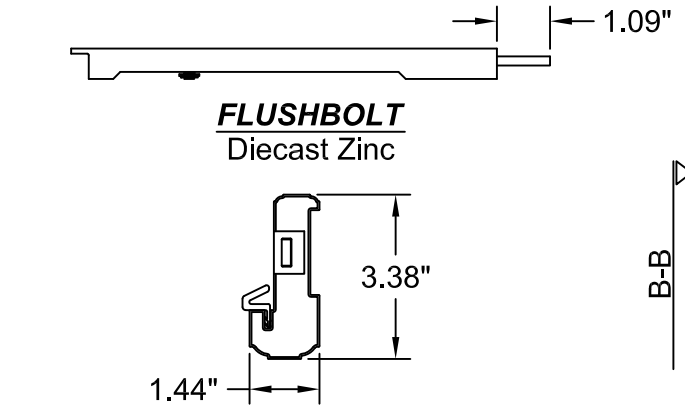
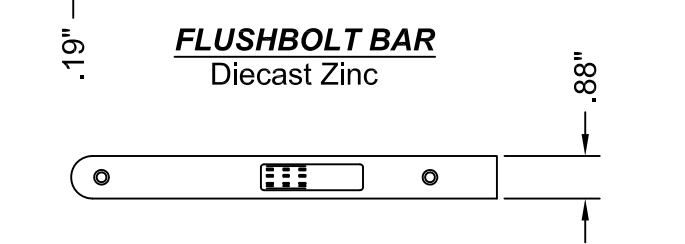
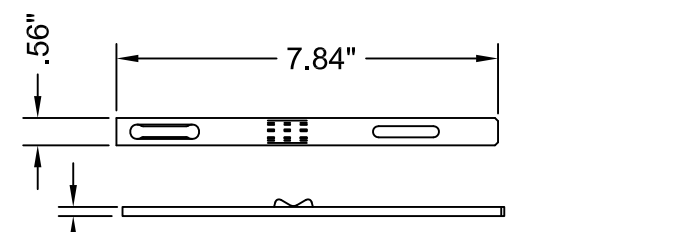
| | |
|---------|----------|
| DATE: | 07.14.16 |
| DWN BY: | LS |
| CHK BY: | HFN |
| SCALE: | NTS |

DWG #: **FL-20867.4**

SHEET: **29 OF 30**



20 **ALUMINUM ASTRAGAL**
6'8 Aluminum Astragal by Endura Products



21 **PVC ASTRAGAL**
6'8 PVC Astragal by Trinity

BILL OF MATERIAL

| ITEM # | DESCRIPTION | MATERIAL |
|--------|--|-----------|
| A | 1X BUCK SG>=0.55 | WOOD |
| B | 2X BUCK SG>=0.55 | WOOD |
| C | 1/4" MAX. SHIM SPACE | - |
| D | 1/4" X 2-3/4" PFH ELCO OR ITW CONCRETE SCREW | STEEL |
| E | #9 X 3/4" PFH WS | STEEL |
| F | #9 X 1" PFH WS | STEEL |
| G | #9 X 2-1/4" PFH WS | STEEL |
| H | #10 X 2-1/2" PFH WS | STEEL |
| I | #8 X 2" PFH WS | STEEL |
| J | #6 X 1-1/4" DRYWALL SCREW | STEEL |
| K | MASONRY - 3,000 PSI MIN. CONCRETE CONFORMING TO ACI 301 OR HOLLOW BLOCK CONFORMING TO ASTM C90 | CONCRETE |
| L | 1/4" X 3-3/4" PFH ELCO OR ITW CONCRETE SCREW | STEEL |
| M | 1/4" X 3-1/4" PFH ELCO OR ITW CONCRETE SCREW | STEEL |
| N | 3/16" X 3-1/4" PFH ELCO OR ITW CONCRETE SCREW | STEEL |
| O | #8 X 2-1/2" PFH WS | STEEL |
| P | 3/16" X 2-1/4" PFH ELCO OR ITW CONCRETE SCREW | STEEL |
| Q | #8 X 1" PFH WS | STEEL |
| R | 3/16" X 2-3/4" PFH ELCO OR ITW CONCRETE SCREW | STEEL |
| 1 | JAMB (FINGER-JOINT PINE - SG>=0.42) | WOOD |
| 1A | JAMB (FINGER-JOINT PINE - SG>=0.42) | WOOD |
| 2 | JAMB | PVC |
| 2A | JAMB | PVC |
| 3 | JAMB | PVC |
| 5 | WEATHER STRIP QEBD650 Q-LON | - |
| 6 | 3.98" X 4.0" HINGE MIN 0.098" MIN THICK | STEEL |
| 7 | STRIKE PLATE | STEEL |
| 8 | DEADBOLT PLATE | STEEL |
| 9 | SILLKEY | PC/ASA |
| 10 | OUTSWING SILL - ALUMINUM WITH PVC SUBSTRATE | ALUM./PVC |
| 11 | DOOR PANEL - SEE DOOR PANEL CONSTRUCTION DETAILS SHEET | - |
| 12A | SIDELITE PANEL - SEE SIDELITE PANEL CONSTRUCTION DETAILS SHEET | - |
| 12B | SIDELITE PANEL - SEE SIDELITE PANEL CONSTRUCTION DETAILS SHEET | - |
| 12C | SIDELITE PANEL - SEE SIDELITE PANEL CONSTRUCTION DETAILS SHEET | - |
| 13 | OUTSWING SIDELITE SPACER | PVC |
| 14 | STANDARD MULLION (FINGER JOINT PINE SG>=0.42) | WOOD |
| 15 | MULLION BASE KIT | PC/ASA |
| 16 | STANDARD MULLION | PVC |
| 17 | "FAT" MULLION | PVC |
| 18 | TWO-PIECE "FAT" MULLION | PVC |
| 19 | 1X MULLION | WOOD |
| 20 | ALUMINUM ASTRAGAL BY ENDURA PRODUCTS | ALUMINUM |
| 21 | PVC ASTRAGAL BY TRINITY | PVC |
| 22 | ASTRAGAL STRIKE @ HEAD | STEEL |
| 23 | ASTRAGAL STRIKE @ SILL | STEEL |
| 24 | INSWING SILL - ALUMINUM WITH PVC SUBSTRATE | ALUM./PVC |
| 25 | DOOR SWEEP | PVC |
| 26 | INSWING SIDELITE SPACER | PVC |



TRINITY GLASS INTERNATIONAL
 3365 1ST WAY S
 FEDERAL WAY, WA 98003
 PH: (253) 875-7300

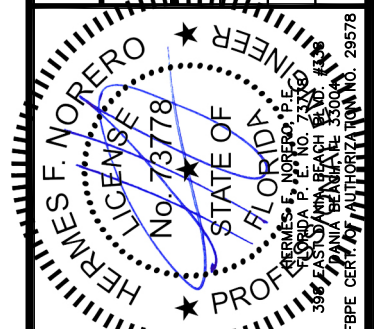
TITLE: OPAQUE FIBERGLASS DOOR
 NON-IMP. INSWING/OUTSWING

BILL OF MATERIALS

PREPARED BY:
 BUILDING DROPS, INC.
 398 E. DANIA BEACH BLVD. #338
 DANIA BEACH, FL 33004
 PH: (954) 399-8478 FX: (954) 744-4738

REVISIONS

| NO. | DESCRIPTION | BY | DATE |
|-----|-------------|----|------|
| | | | |



DATE: 07.14.16
 DWN BY: LS
 CHK BY: HFN
 SCALE: NTS

DWG #: **FL-20867.4**
 SHEET: **30 OF 30**